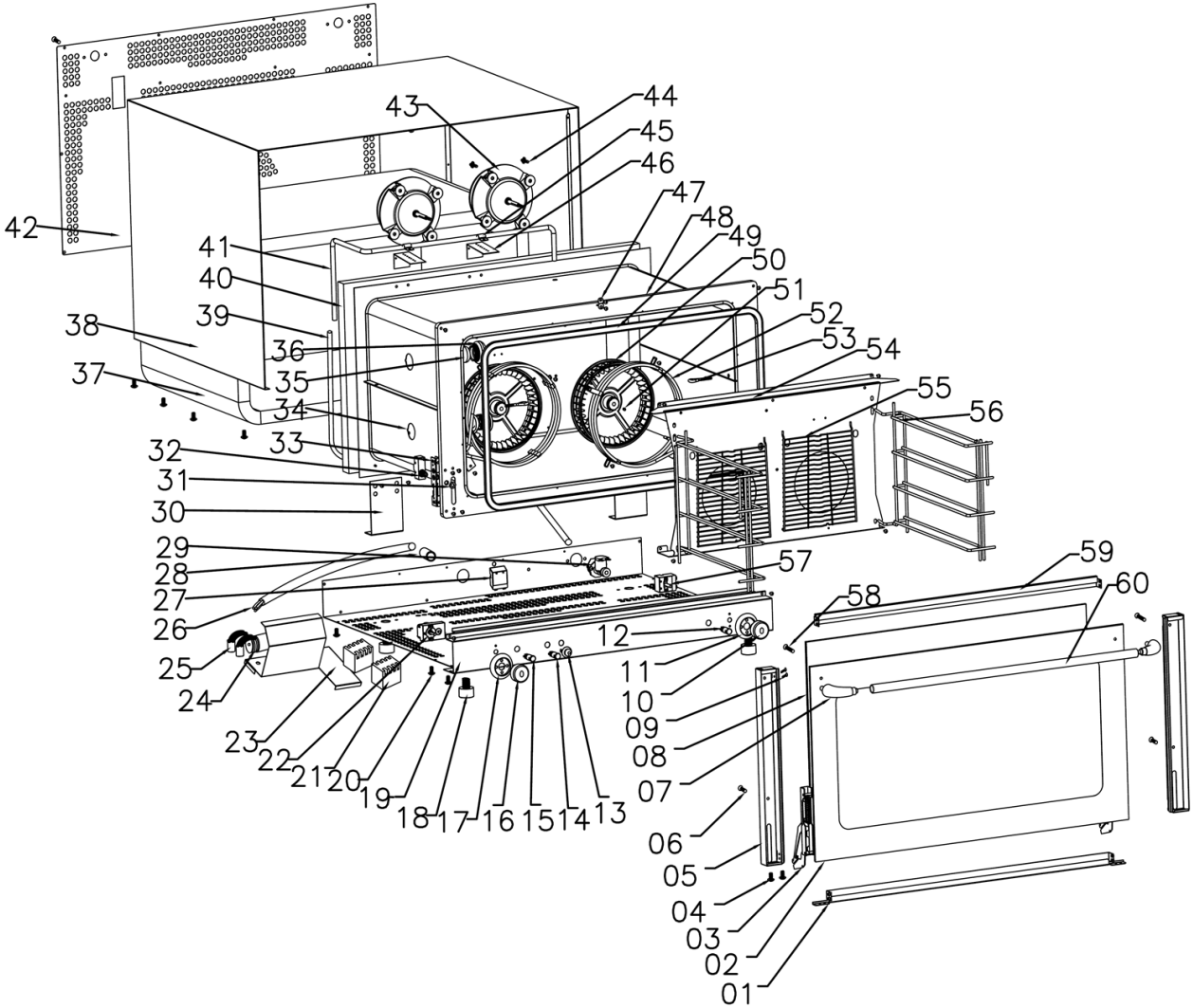


YXD-8A-15E EXPLODED DIAGRAM



YXD-8A-15E PARTS LIST

Item	FHE Part Code	Description	Qty	Remark
1	802005018001	Lower Cross Beam	1	
2*	YXD-8A-02	Outside Toughened Glass 815mm X 450mm 302100143/70201001437L	1	
3*	70200402973L	Door Hinge	2	
4	YXD-8AE-PHC	Pan Head Crew M4 X 8mm	4	
5	802005018029	Door Post	2	
6	YXD-8AE-SS	Sunk Screw M5 X 10mm	2	
7*	YXD-8A-07	Handle Holder 302070235/70200702355	2	
8*	YXD-8A-08	Inner Toughened Glass 728mm X 442mm X 5mm 302100144/70201001446	1	
9	YXD-8AE-TS	Tapping Screw M4 X 8mm	8	
10*	EF-Temperature Knob	Temperature Knob Φ 40 301110028/70101100282	1	
11	70101100046	Temp Controller Knob Base Φ 51 301110004	1	
12*	YXD-1A-GREEM LAMP	Green Indicating Lamp 220V Φ 13 301130013/70101300137	1	
13*	YXD-8A-13	Steam Push Button Switch R13-507 301080023/70100800237	1	
14*	YXD-8A-14	Indicator Green 220V Φ 13 301130014/70101300146	1	
15*	YXD-1AE-12	Green Indicator 220V Φ 13 301130015/70101300155	1	
16*	YXD-8A-16	Timer Knob Φ 40 301110032/70101100328	1	
17	70101101900	Timer Knob Base Φ 51	1	
18	70200900228	Rubber Foot 302090022	4	

FHE After Sales Service & Support (AU)
 Phone: 1300887055
 Spares Email: spares@fedservices.com.au

FHE After Sales Service & Support (NZ)
 Phone: 09 415 6471
 Service Email: service@fedproducts.co.nz

YXD-8A-15E PARTS LIST

Item	FHE Part Code	Description	Qty	Remark
19	YXD-8AE-CB	Control Board	1	
20	YXD-8AE-SS	Self-tapping Screw M4 X 8mm	20	
21*	YXD-8A-21	AC Contactor CJX2-1810 230V 20A 301090016/70100900164	2	
22*	YXD-1AE-18	Timer 120 Min 16A 301120011/70101200119	1	
23	YXD-1AE-MSP	Motor Support Plate	1	
24*	70101500873L	Reversible Transformer	1	
25*	YXD-8A-25	Motor Capacitor C61-P2-21 450V 3.15μF 301010061/70100100619	2	
26	70100500046	Power Cord with Plug 15A/250V	3.5	
27*	70100301982L	Temperature Limiter 360°C 230V 16A	1	
28	70100700728	Power Cord Jacket	1	
29*	YXD-8A-29	Electromagnetic Valve 301100022/70101000228	1	
30	YXD-8AE-CB	Chamber Bracket	2	
31	YXD-8AE-LSFN	Limit Switch Fixing Nut M12	1	
32*	YXD-8A-31	Limit Switch 301080015/70100800155 LXW5-11M	1	
33*	YXD-3A-01B	Hinge Runner 302040266/70200402664	2	
34	YXD-8A-33	Lamp Base 301130038/70101300382	2	Assembly see code YXD-1AE-LA
35*	YXD-1AE-36	Lamp 230V 15W 301130048/70101300482	2	Assembly see code YXD-1AE-LA
36	One set with Lamp Item 35	Glass Chimney	2	Assembly see code YXD-1AE-LA

YXD-8A-15E PARTS LIST

Item	FHE Part Code	Description	Qty	Remark
37	YXD-8AE-LIC	Liner Insulation Cotton	1	
38	YXD-8AE-OC	Outer Casing	1	
39	70202300028	Flexible Plastic Pipe Φ10	1	
40	YXD-8AE-RIC	Rear Insulation Cotton	1	
41	YXD-8AE-WP	Water Pipe Φ10	1	
42	YXD-8AE-RSP	Rear Sealing Plate	1	
43*	YXD-8A-41	Motor 230V/50HZ 90W 2450RPM 301010204/70100102046	2	
44	YXD-8AE-MFB	Motor Fixing Bolt M8 X 20mm	8	
45	YXD-8AE-WPPP	Water Pipe Pressing Plate	2	
46	YXD-8AE-WPSP	Water Pipe Support Plate	2	
47	YXD-8AE-CB	Connecting Bracket	1	
48	YXD-8AE-ILB	Inner Liner Body	1	
49*	70200200782	Door Gasket	1	
50	YXD-8A-47	Fan For Motor 302030067/70200300673	2	
51	YXD-8AE-HN	Hexagonal Nut M5	2	
52*	YXD-8A-49A	Heating Element 301040349/70100403491 1.5KW	2	
53	YXD-8AE-SBC	Shelf Bracket Clip	2	
54	YXD-8AE-FCP	Fan Cover Plate	1	

FHE After Sales Service & Support (AU)
 Phone: 1300887055
 Spares Email: spares@fedservices.com.au

FHE After Sales Service & Support (NZ)
 Phone: 09 415 6471
 Service Email: service@fedproducts.co.nz

YXD-8A-15E PARTS LIST

Item	FHE Part Code	Description	Qty	Remark
55	YXD-8AE-FC	Fan Cover	2	
56-R*	70201101500	RHS Rail Bracket	1	
56-L*	70201101519	LHS Rail Bracket	1	
57*	YXD-1AE-11	Thermostat 50-300°C 301030020/70100300200	1	
58	YXD-8AE-CS	Countersunk Screw M5 X 20mm	2	
59	802005018002	Door Upper Beam	1	
60*	802005018003	Door Handle Φ 19X1.5mm	1	
	YXD-1AE-LA	Lamp and Holder 70101300482+70101300382		Included in Item 34-36
	YXD-8A-02A	Complete Front Door 20107008005/801005018001		
	YXD-8A-17	Timer Knob Dial 301110005		
	YXD-8A-27	Temperature Limiter 301030042/ OVERTEMP		
	YXD-8A-46	Door Seal 302020361 (Black 6 X 4 Pins)		
	YXD-8A-50	Tray Locker 302200358		
	YXD-8A-C-1	PCB Board 301150029		
	YXD-8A-T	Tray 600mm x 400mm 302120049 70201200491		
	YXD-8A-W	Wire Rack 600mm X 400mm 302110619		
	301150291	Fan Motor Controller cam style timer		

*Wearable parts

FHE After Sales Service & Support (AU)
 Phone: 1300887055
 Spares Email: spares@fedservices.com.au

FHE After Sales Service & Support (NZ)
 Phone: 09 415 6471
 Service Email: service@fedproducts.co.nz