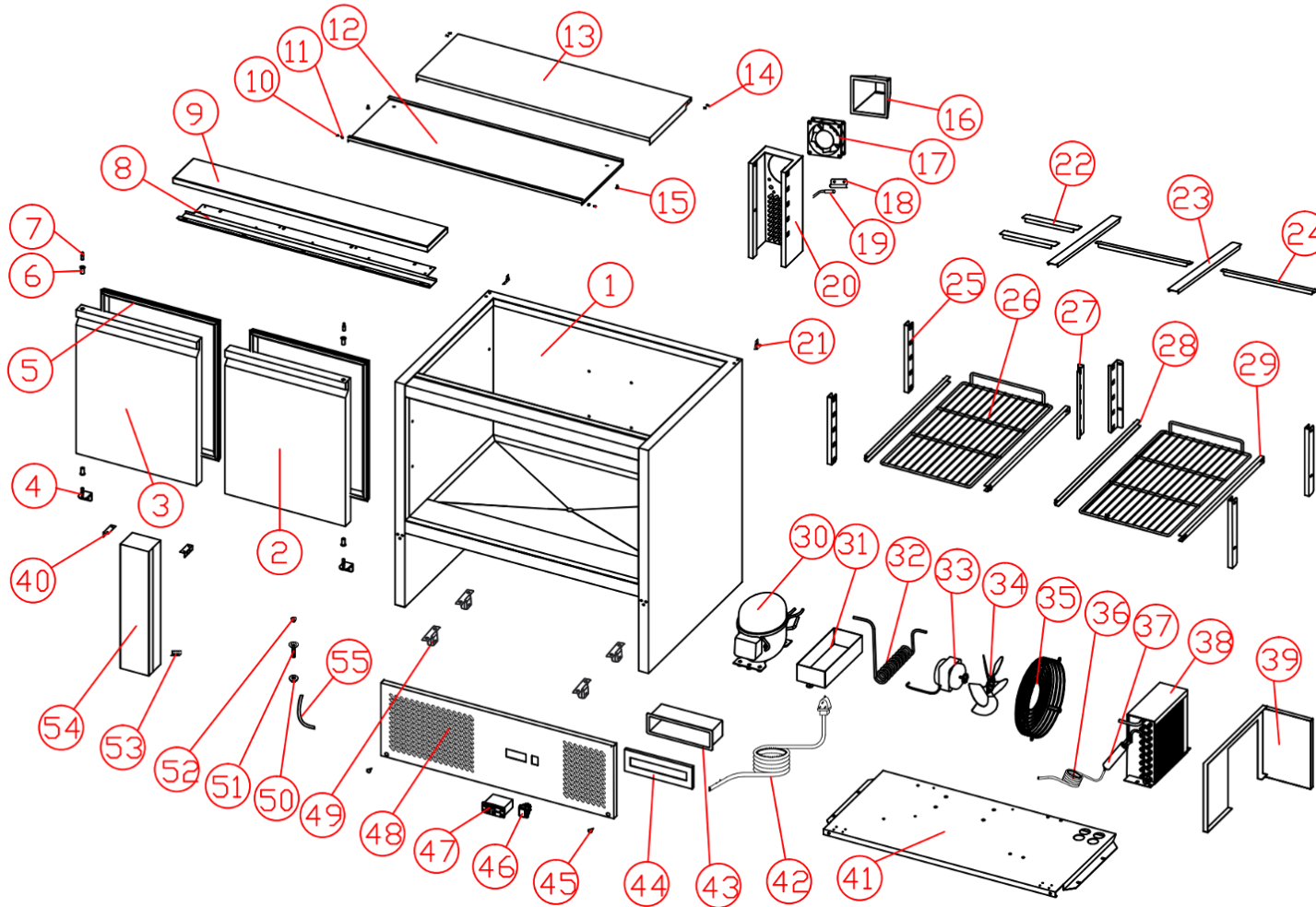


XGNS900S EXPLODED DIAGRAM



EXPLODED DIAGRAM XGNS900S



XGNS900S PARTS LIST

| Item | FHE Part Code | Description | Qty | Remark |
|------|---|-------------------|-----|--------|
| 1 |  | Cabinet | 1 | |
| 2 | GXE-0-000-0095-0 | Right Door | 1 | |
| 3 | GXE-0-000-0080-0 | Left Door | 1 | |
| 4* | 2500500367 | Bottom Hinge | 2 | |
| 5* | 16401390494 | Door Gasket | 2 | |
| 6 | 16353010008 | Door Axis Sleeve | 4 | |
| 7 | 12515120051 | Hinge Axis | 2 | |
| 8* | GXE-2-001-0076-0 | Upper Hinge | 1 | |
| 9 | 16319200903 | Cutting Board | 1 | |
| 10* | 12515120902 | Roller Shaft | 2 | |
| 11* | 16323230002 | Roller | 2 | |
| 12 | GXE-2-001-0084-0 | Flexible Cover | 1 | |
| 13 | GXE-2-001-0082-0 | Fixed Cover | 1 | |
| 14 | 12515010003 | Cover Axis | 4 | |
| 15 | 16369390065 | Small Plastic Cap | 2 | |
| 16 | 16356010001 | Air Guide Cover | 1 | |



FHE After Sales Service & Support (AU)
 Phone: 1300887055
 Spares Email: spares@fedservices.com.au

FHE After Sales Service & Support (NZ)
 Phone: 09 415 6471
 Service Email: service@fedproducts.co.nz

XGNS900S PARTS LIST

| Item | FHE Part Code | Description | Qty | Remark |
|------|------------------|------------------------------|-----|--------|
| 17* | 17701151238 | Evap. Fan SA1238A2 HBL 0.09A | 1 | |
| 18 | GXE-2-001-0286-0 | Probe Cover | 1 | |
| 19* | 17649490013 | Probe | 1 | |
| 20 | GXE-2-001-0079-0 | Fan Base | 1 | |
| 21 | GXE-2-001-0283-0 | Hinge Axis Base Set (L&R) | 2 | |
| 22* | GXE-2-001-0087-0 | Short Cachepot | 2 | |
| 23* | GXE-2-001-0085-0 | Long Cachepot | 2 | |
| 24 | GXE-2-001-0086-0 | Medium Cachepot 326mm X 20mm | 2 | |
| 25 | GXE-2-001-0080-0 | Beam Hang Strip | 4 | |
| 26* | 12502012743 | Shelf 325mm X 560mm | 2 | |
| 27 | GXE-2-001-0081-0 | Rear Hang Strip | 2 | |
| 28* | GXE-2-001-0077-0 | Left Shelf Guide | 2 | |
| 29 | GXE-2-001-0078-0 | Right Shelf Guide | 2 | |
| 30* | 17209010077 | Compressor | 1 | |
| 31 | 16316130019 | Outer Drain Pan | 1 | |
| 32* | 17116060009 | High Pressure Pipe | 1 | |

XGNS900S PARTS LIST

| Item | FHE Part Code | Description | Qty | Remark |
|------|---|-------------------------------|-----|--------|
| 33* | 17701190001 | Condenser Fan Motor | 1 | |
| 34 | 16381738062 | Condenser Fan Blade | 1 | |
| 35 | 12504050173 | Condenser Fan Cover | 1 | |
| 36 | 15804042410 | Capillary | 1 | |
| 37 | 17111180146 | Dryer Filter | 1 | |
| 38* | 17302090201 | Condenser | 1 | |
| 39 |  | Wind Cover | 1 | |
| 40 | GXE-2-001-0017-0 | Middle Beam Connect | 2 | |
| 41 |  | Cooling Unit Board | 1 | |
| 42 | 22751510034 | Power Cord | 1 | |
| 43 | 16369690404 | Plastic Water-proof Box | 1 | |
| 44 | 16369690405 | Plastic Water-proof Box Cover | 1 | |
| 45 | 16369390066 | Large Plastic Cap | 2 | |
| 46* | 17749210020 | Power Switch | 1 | |
| 47* | 17709030002 | Controller XR02CX-5N0C1-XX | 1 | |
| 48 | GXE-2-001-0075-0 | Front Bottom Panel | 1 | |

XGNS900S PARTS LIST

| Item | FHE Part Code | Description | Qty | Remark |
|------|------------------|---------------------|-----|--------|
| 49 | 12533040022 | Castor | 4 | |
| 50 | 16365050901 | Drain-Pipe Nut | 1 | |
| 51 | 15810020901 | Drain-Pipe | 1 | |
| 52 | 16369140901 | Water Plug | 1 | |
| 53 | 22600002944 | Middle Beam Connect | 1 | |
| 54 | GXE-0-000-0096-0 | Middle Beam | 1 | |
| 55 | GXE-2-005-0005-0 | PVC Drain-pipe | 1 | |

*Wearable parts