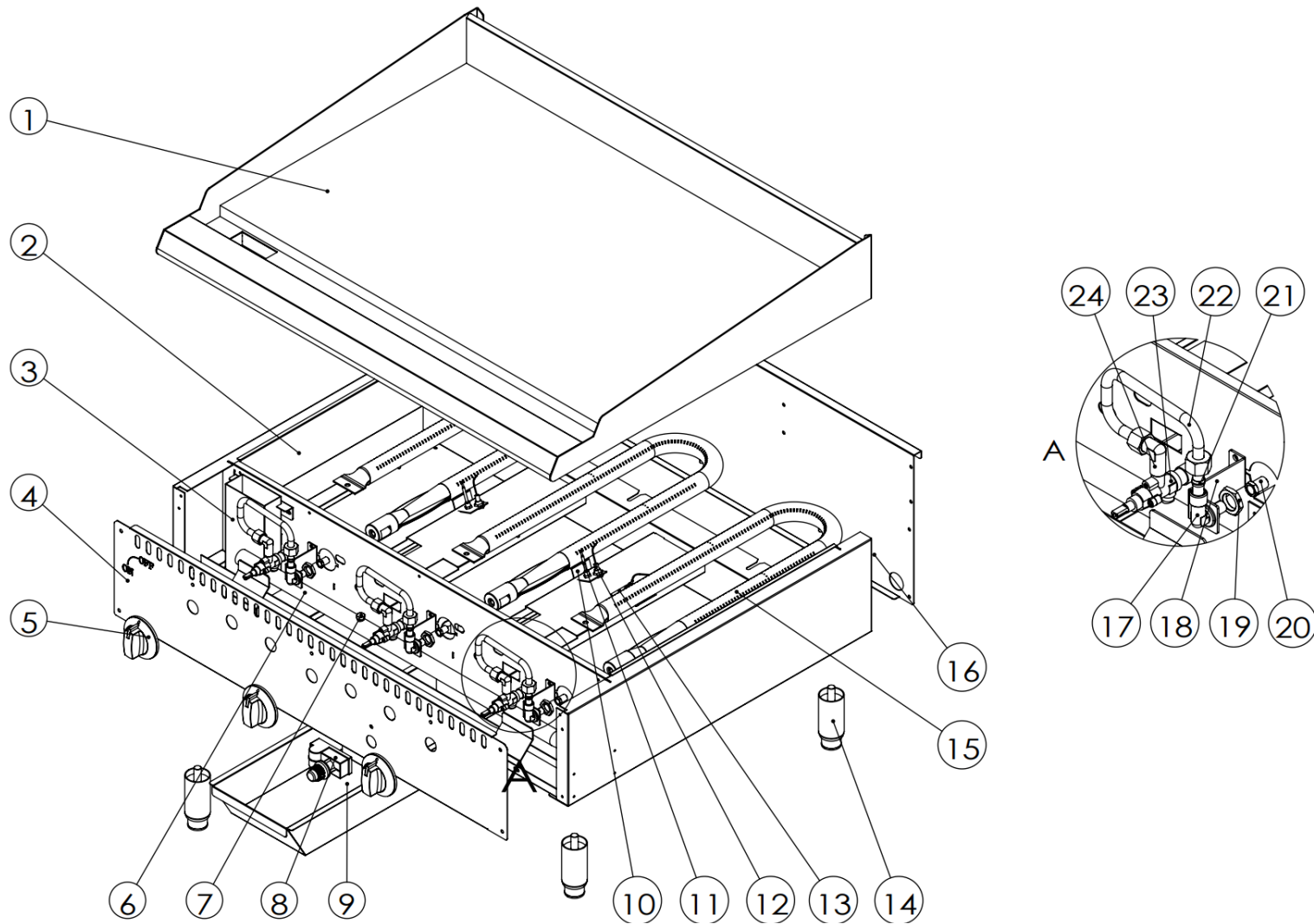


GG-36 EXPLODED DIAGRAM



GG-36 PARTS LIST

Item	FHE Part Code	Description	Qty	Remark
1	GG-36-GPA	Griddle Plate Assembly Item 1 801025009001	1	
2		Housing Assembly	1	
3	GG-36-ODT	Oil Drain Tank	1	
4	GG-36-FCP	Front Control Panel	1	
5*	70101102519+70101103900	Control Knob with Knob Core	3	
6*	70201807528L	Main Gas Pipe Assembly	1	
7*	70202005355	Gas Pipe Testing Plug	1	
8*	QR-48-14	Pulse Ignition Module 4 Pin 301100052/70101000528	1	
9	801022034004	Drip Tray	1	
10	GG-36-TFPR	Thermocouple Fixation Plate (Right)	2	
11*	302170013	Front Burner Thermocouple M8 320mm 70201700137	3	Version 1
	70201700519L	Thermocouple 400mm	3	Version 2
12	302220004	Clamp ϕ 10	3	
13	GG-36-TFPL	Thermocouple Fixation Plate (Left)	1	
14	70200900073	SS Adjustable Foot 4" 302090007	4	Same as RGT-48-14 or HX1-38 or QR-24-S-LEG
15*	70201304782L	U-shaped Burner	3	
16	GG-36-BP	Back Plate	1	

GG-36 PARTS LIST

Item	FHE Part Code	Description	Qty	Remark
17	70202008400+70202011546	Nozzle Elbow W/ Screw M16*1.5	3	
18	GG-36-NFP	Nozzle Fixation Plate	3	
19*	70202011628	Fixation Screw For Elbow M18 X 1.5	3	
20*	RB-26	Blank Nozzle To Be Drilled 302150095/70201500955	6	
21	70201400664	10 Clamp Olive 10mm	6	Same as 302140066 or 302140167
22*	70202301382L	Pilot Main Pipe Φ 10 X 400mm	3	Same as 302230138L
23*	QR - VALVE	Control Valve 302220049/70202200491	3	
24	70202022128L	Φ 10 Elbow NPT 1/8 w/ Screw	3	
	GG-24-302150132-LPG	Burner Nozzle LPG 1.70mm		
	GG-24-302150132-NG	Burner Nozzle NG 2.7mm		
	RB-24	NG Jets #43 Jet Size 302150071		
	802023074010	Middle Cross Beam		
	70201500382	Pilot Nozzle NG		
	70201500391	Pilot Nozzle LPG		
	GG-36-CT	Crumb Tray Item 12 802025009009+802025009010		
	GG-36-IW	Igniter Wire		

*Wearable parts

FHE After Sales Service & Support (AU)
 Phone: 1300887055
 Spares Email: spares@fedservices.com.au

FHE After Sales Service & Support (NZ)
 Phone: 09 415 6471
 Service Email: service@fedproducts.co.nz