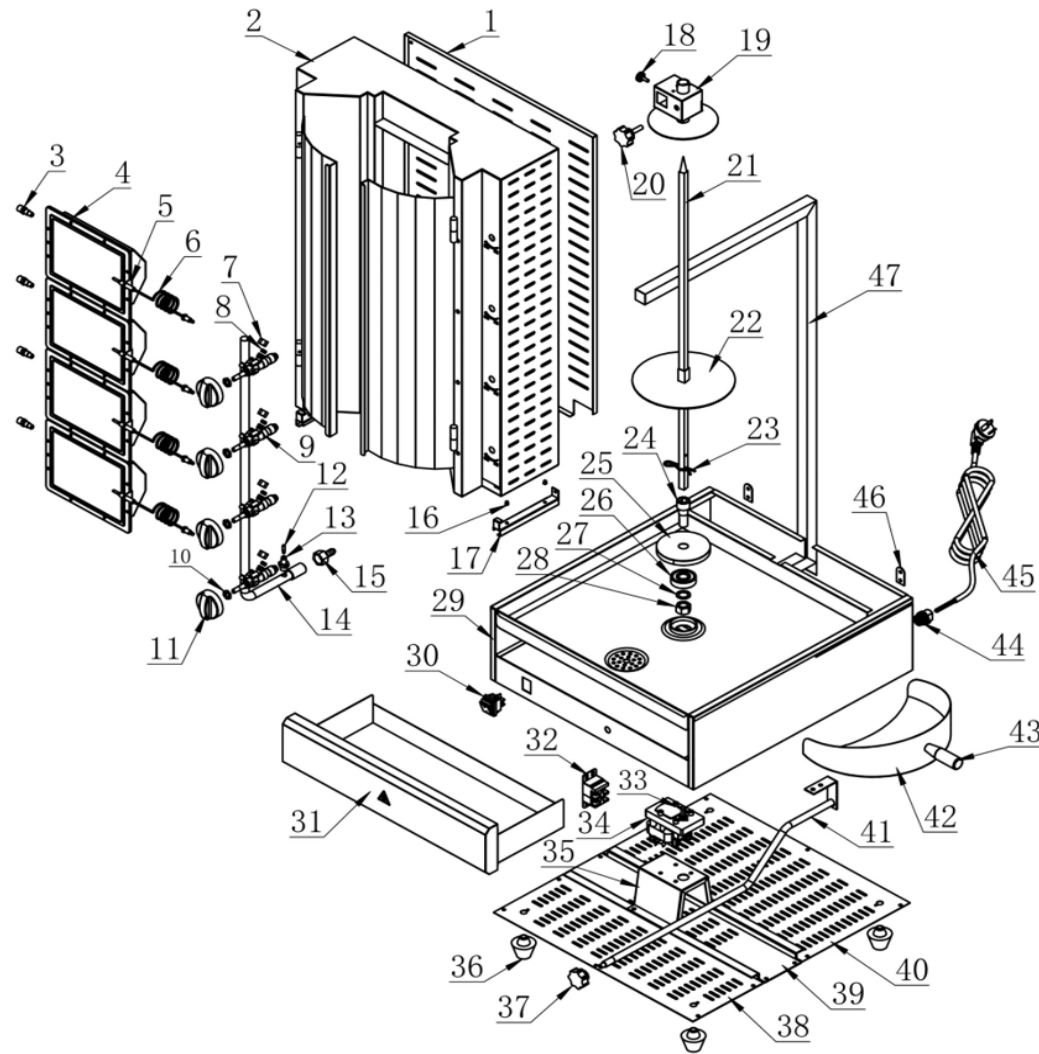


KB-3 EXPLODED DIAGRAM



KB-3 PARTS LIST

Item	FHE Part Code	Description	Qty	Remark
1	KB-BP	Back Plate	1	
2	KB-FA	Frame Assembly	1	
3*	LPG Version 70201502146L	Nozzle LPG Ø1.05mm	3	
3*	NG Version 70201502155L	Nozzle NG Ø1.75mm	3	
4*	NG Version 70201304582L	Burner With NG Nozzle	3	
4*	LPG Version 70201304582L-LP	Burner With LPG Nozzle	3	
5	802023080018	thermocouple Bracket	3	
6*	70201700091	Thermocouple M8 X 1mm 400mm L	3	
7	70201400873	Locking Nut Ø8	3	
8	70201400755	Clamp Ø8	3	
9*	70202201282L	Gas Valve JAA025	3	
10	TB-LNM13	Locking Nut M13*1	3	
11*	70101101464	Control Knob	3	
12	302140024	Needle Exhaust Pipe Brass M5 X 22mm 70201400246	1	
13	RG-2-57	Holder for Purge Valve 302140125/70201401255	1	
14*	TB-GM	Gas Manifold	1	
15	70200602482	Pipe Joint	1	
16	302200705	Nylon Slide 70202007055	3	

KB-3 PARTS LIST

Item	FHE Part Code	Description	Qty	Remark
17	KB-SB	Sliding Bracket	2	
18	70202007282	Long Thread Knurled Screw	1	
19	801023080003	Top Sliding Box Assembly	1	
20	70200700719	Knob of Principal Axis	1	
21*	801023080008	Main Shaft/Meat Spit 610mm L	1	Assembly see KB-3-MRA
22	801023080010	Round Lower Stopper Assembly	1	Assembly see KB-3-MRA
23	70202000382	Main Shaft Pin	1	Same as RG-2-62m, Assembly see KB-3-MRA
24	RG-2-64	Lower Axis Holder/Bottom Spit Mount 302200061/70202000619	1	
25	801023080005	Bearing Cover	1	
26	70200403091L	Bearing	1	
27-1	802023080066	Flat washer 17.4mm X 26mm	1	
27-2	802023080074	Flat washer 16.4mm X 26mm	1	
28	KB-NM16	Nut M16	1	
29	KB-BC	Bottom Case	1	
30*	DZL-28-2-110	Waterproof Switch 301080068/70100800682	1	
31*	802023080021	Oil Collector	1	
32*	70100700491	Terminal	1	

KB-3 PARTS LIST

Item	FHE Part Code	Description	Qty	Remark
33	70202132019	Pin	1	
34*	70100102800L	Motor with Pin 70202132019	1	
35	KB-MB	Motor Bracket	1	
36	YXD-3A-20	Rubber Foot 302090022/70200900228	1	
37*	70200700728	Sliding Shaft Knob	1	
38	KB-FBP	Front Bottom Plate	1	
39	KB-MBP	Middle Bottom Plate	1	
40	KB-BBP	Back Bottom Plate	1	
41	70202000400	Sliding Rod	1	
42+43*	801023080002	Meat Shovel with Handle	1	
44	70100700782	Power Cord Sheath	1	
45	70100500173	Power Cord with Plug	1	
46	KB-LP	Locking Pin	1	
47	KB-Frame	Frame	1	
48	KB-3-HSA	Heat Shield Assembly 802023080053 X 2 + 70202022555L X 4	1	
	KB-3-MRA	Meat Rod Assembly 801023080008+801023080010+70202000382		Included in Item 21- 23

*Wearable parts

FHE After Sales Service & Support (AU)
 Phone: 1300887055
 Spares Email: spares@fedservices.com.au

FHE After Sales Service & Support (NZ)
 Phone: 09 415 6471
 Service Email: service@fedproducts.co.nz