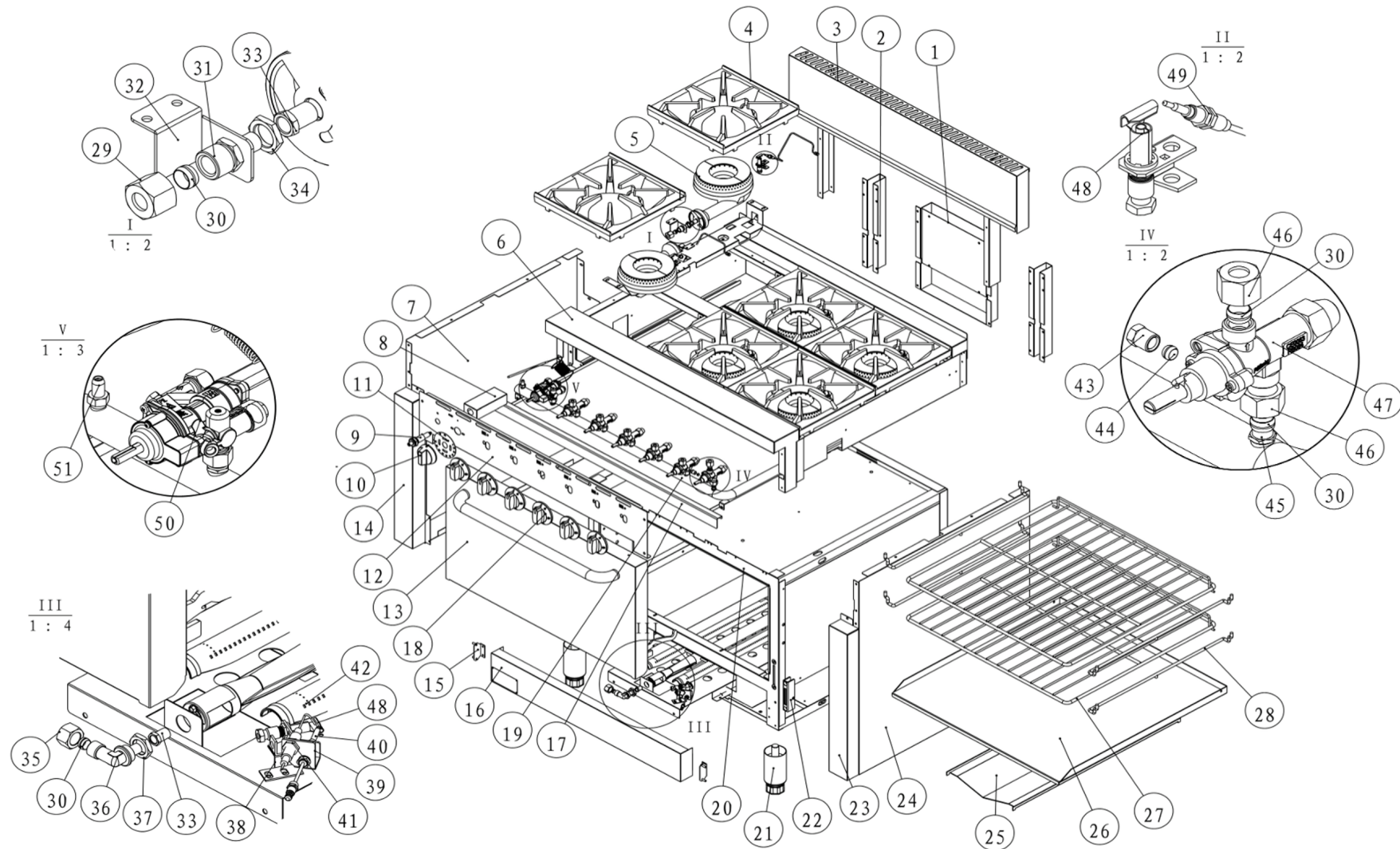


# GBS6TS EXPLODED DIAGRAM




# GBS6TS PARTS LIST

Item	FHE Part Code	Description	Qty	Remark
1	GBS4TS-CA	Chimney Assembly	1	
2	GBS4TS-SGBSB	Sliding Groove of Back Splash Board	2	
3	GBS4TS-TBPA	Top Back Plate Assembly	1	
4*	70202501664L	Trivet	6	
5*	70201304900L	Burner Assembly	6	
6	GBS4TS-OBHA	Open Burner Housing Assembly	1	
7	GBS4TS-LSP	Left Side Plate	1	
8	802021041128	Ignition Cover Plate	1	
9*	70202201346L	Igniter	1	
10-1*	301110280	Oven Control Knob 70101102800 with 301110302	1	
10-2*	70101103028	Oven Control Knob Core	1	
11	GBS4TS-OCKD	Oven Control Knob Dial	1	
12	GBS4TS-FCP	Front Control Panel	1	
13*	801021041006	Oven Door Assembly	1	
14	GBS4TS-LDDP	Left Door Decoration Plate	1	
15	801021041009	Front Lower Hinge Seat Assembly	2	
16	GBS4TS-OBDP	Oven Bottom Decoration Plate	1	
17	801021039005	Top Burner Crumb Tray	1	

FHE After Sales Service & Support (AU)  
 Phone: 1300887055  
 Spares Email: [spares@fedservices.com.au](mailto:spares@fedservices.com.au)

FHE After Sales Service & Support (NZ)  
 Phone: 09 415 6471  
 Service Email: [service@fedproducts.co.nz](mailto:service@fedproducts.co.nz)

# GBS6TS PARTS LIST

Item	FHE Part Code	Description	Qty	Remark
18*	70101100619+70101103900	Control Knob With Insert For Open Burners (Two-tone Knob + Knob Core)	6	
19*	302180716L	Gas Manifold 70201807164L	1	
20		Oven Chamber Assembly	1	
21*	70200900882L	Adjustable Leg 6 Inch	4	
22*	S36-16B	Door Hinge Bracket Assembly 70201904291	2	
23	GBS4TS-RDDP	Right Door Decoration Plate	1	
24	GBS4TS-RSP	Right Side Plate	1	
25	802021041043	V-Shape Cover Plate	1	
26	GBS4TS-OCBP	Oven Chamber Bottom Plate	1	
27*	302110676L	Oven Wire Rack 70201106764L	2	
28	70201106746L	Oven Grid Support	4	
29	70201401337	Nozzle Connection Nut $\varnothing$ 10mm	8	
30	70201400664	Clamp $\varnothing$ 10	21	
31*	302202224L	Injector/Nozzle Joint 70202022246L	6	
32	GBS4TS-IB	Injector Bracket	6	
33*	70201501328	Burner Nozzle LPG 1.02mm	7	Version 1
33*	GBS4TS-302150132-LPG	Nozzle LPG 1.90mm	7	Version 2
33*	GBS4TS-302150132-NG	Nozzle NG 3.26mm	7	Version 3

FHE After Sales Service & Support (AU)  
 Phone: 1300887055  
 Spares Email: [spares@fedservices.com.au](mailto:spares@fedservices.com.au)

FHE After Sales Service & Support (NZ)  
 Phone: 09 415 6471  
 Service Email: [service@fedproducts.co.nz](mailto:service@fedproducts.co.nz)

# GBS6TS PARTS LIST

Item	FHE Part Code	Description	Qty	Remark
34		Injector Connector Nut	6	
35	70202011546	Nozzle Elbow Connecting Nut M16 X 1.5mm	1	
36	70202008400	Nozzle Elbow	1	
37	70202011628	Fixation Screw For Elbow M18 X 1.5 mm	1	
38	GBS4TS-OPBMP	Oven Pilot Bracket Mounting Plate	1	
39	GBS4TS-OTB	Oven Thermocouple Bracket	1	
40*	70201700491L	Thermocouple For Oven 1800mm 302170049L	1	
41*	302220004	Ignitor Pin and Wire With Nuts 70202200046	1	
42*	70201304500L	Oven Burner Assembly	1	
43	302140073	6mm Nut 70201400737	6	
44	302140072	∅ 6 Brass Olive 70201400728	8	
45	302202233L	Valve Joint 70202022337L	6	
46	302220063	Valve Connecting Nut M16 X 1.5 70202200637	12	
47*	70202200582	Gas Control Valve	6	
48*	70201304546L	Pilot Assembly LPG	7	
49*	70201700055	Thermocouple For Top Burners 800mm	6	
50*	70202201291L	Oven Valve 302220129L	1	
51*	70202005355	Needle Bleed Valve NPT 1/8	1	

FHE After Sales Service & Support (AU)  
 Phone: 1300887055  
 Spares Email: [spares@fedservices.com.au](mailto:spares@fedservices.com.au)

FHE After Sales Service & Support (NZ)  
 Phone: 09 415 6471  
 Service Email: [service@fedproducts.co.nz](mailto:service@fedproducts.co.nz)

# GBS6TS PARTS LIST

---

---

Item	FHE Part Code	Description	Qty	Remark
	70202301391L	Corrugated Pipe $\Phi$ 10 X 600mm		
	302150188L	Oven/Top Burner Pilot Nozzle NG		
	70201304537L	Pilot Assembly NG		
	JZH-RP4-35	Igniter 302220010		
	JZH-RP6-36	Ignitor Lead Wire 308010009		

\*Wearable parts