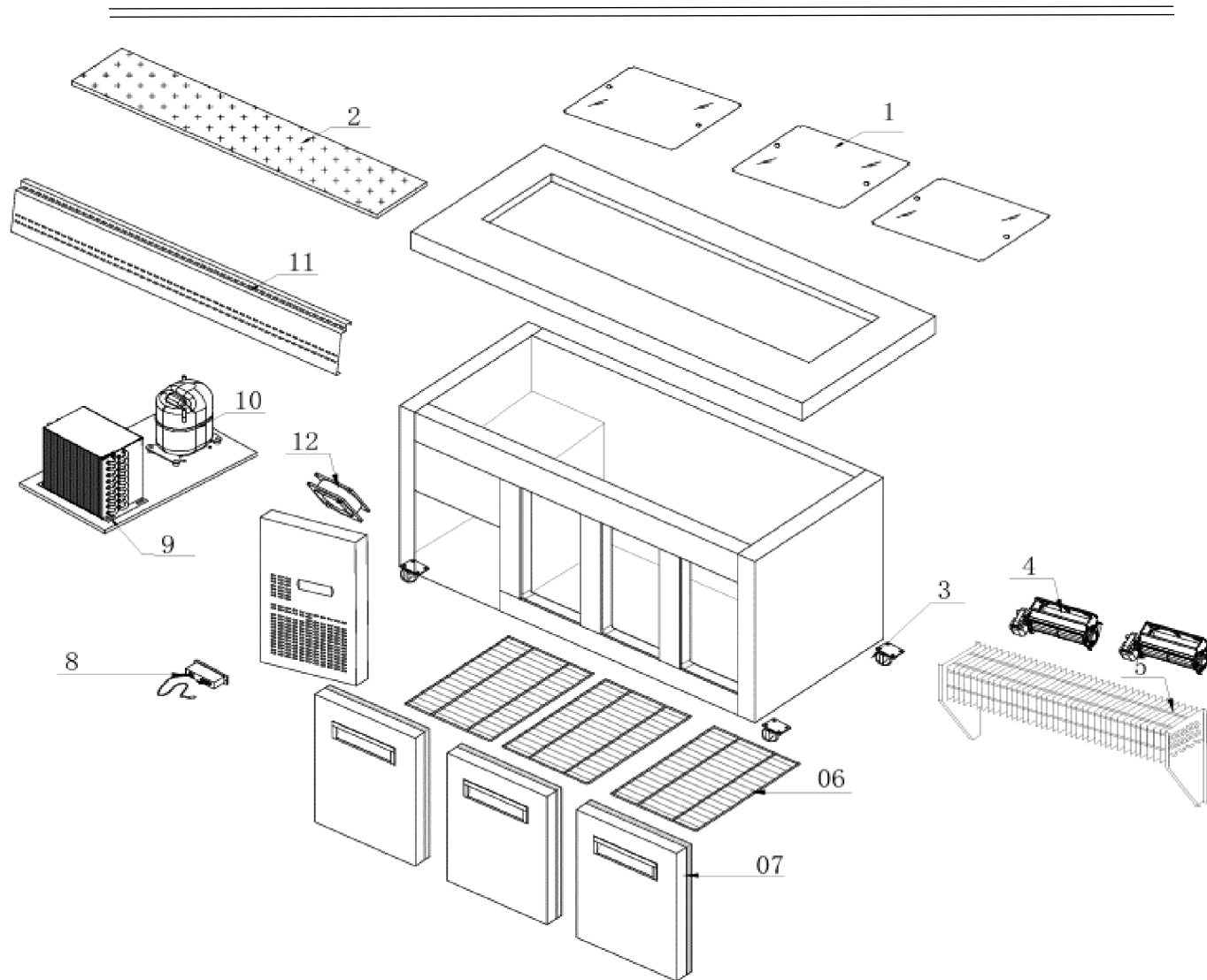



PG210FA-XB EXPLODED DIAGRAM



PG210FA-XB PARTS LIST

Item	FHE Part Code	Description	Qty	Remark	
1	PG210FA-XB-PSDS	Perspex Sliding Doors Set 420mm X 557mm 3 Pcs + 420mm X 586mm 2 Pcs	1		
2	PG210FA-XG-CB	Chopping Board 2140mm X 220mm	1		
3	Version 1	PG150FA-XG-NC	Normal Castor 4 Inch	2	SN From 384111 to 384112
	Version 1	PG150FA-XG-BC	Brake Castor 4 Inch	2	SN From 384111 to 384112
	Version 2	PG150FE-11	Normal Castor 3 Inch	2	SN From 385784
	Version 2	PG150FE-11A	Brake Castor 3 Inch	2	SN From 385784
4	Version 1	FAN-04	Metal Body Plastic Blade Square Fan 120mm X 120mm X 38mm	4	SN From 384111 to 384112
	Version 2	PG150FA-XB-ECFF	Evaporator Cross Flow Fan Weiguang YGF60-240	2	SN From 385784
5	PG210FA-XG-Evap	Evaporator 5 X 4 X 1200	1		
6	Side	PG210FA-XG-SS	Side Shelf 520mm X 500mm	2	
	Middle	PG210FA-XG-MS	Middle Shelf 552mm X 500mm	1	
7	PG210FA-XG-DS	Door Seal 550mm X 645mm	2		
8	TEMP CONT SF-102	Temp Controller SF102	1		
9	PG180FA-XB-Cond	Condenser 3 X 11 X 280	1		
10	SF15MFX	Compressor	1		

PG210FA-XB PARTS LIST

Item	FHE Part Code	Description	Qty	Remark
11		Air Duct Panel 2017mm X 200mm	1	
12	FAN-24	Fan SJ1225HA2 120mm X 120mm X 25mm 220V-240V AC 0.1A	1	
	PG150FA-XG-CBFB	Chopping Board Fixing Bracket Set		
	PG180FE-XG-PD	Pan Divider 535mm X 40mm		

FHE After Sales Service & Support (AU)
Phone: 1300887055
Spares Email: spares@fedservices.com.au

FHE After Sales Service & Support (NZ)
Phone: 09 415 6471
Service Email: service@fedproducts.co.nz