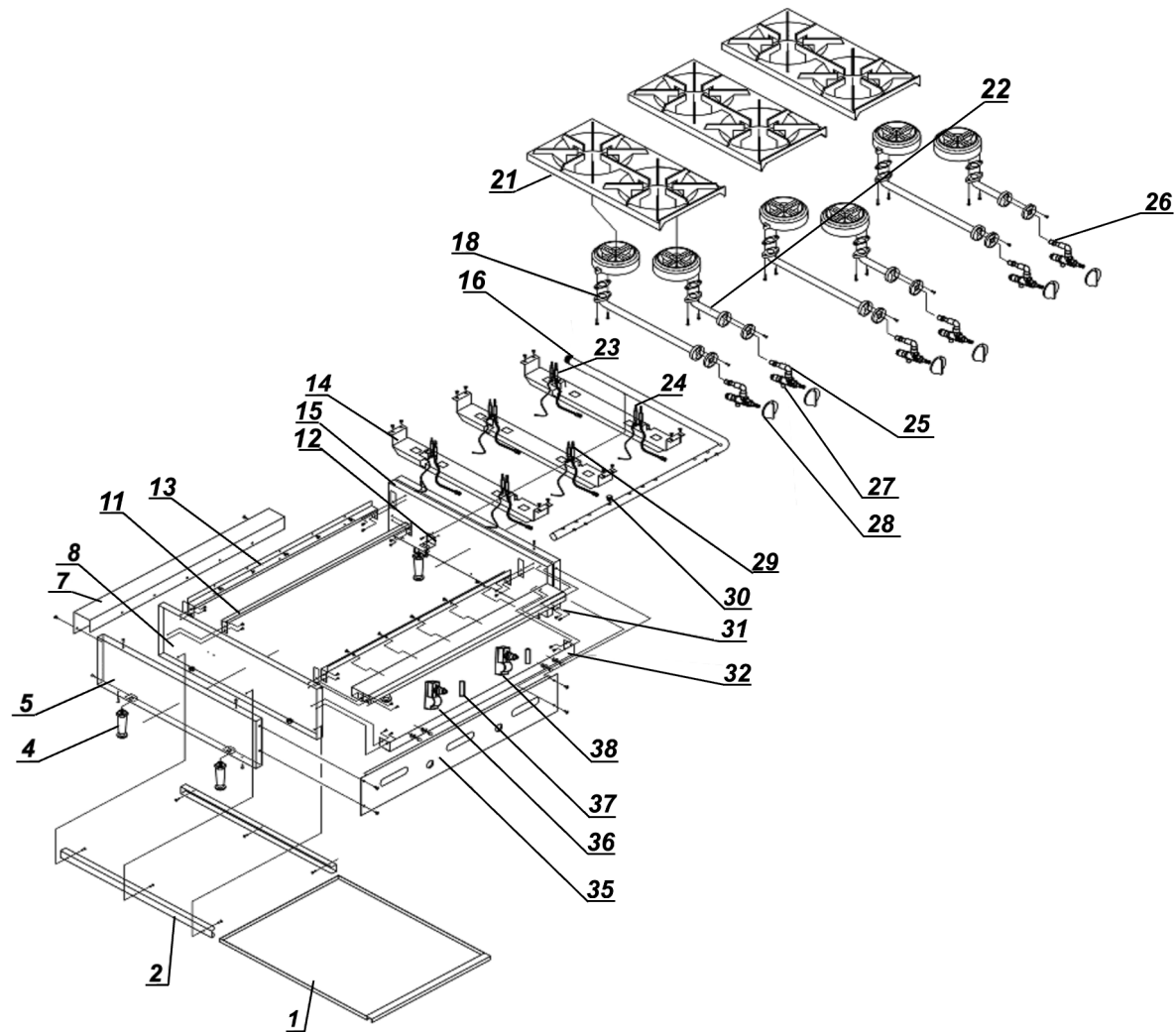


# RB-4E EXPLODED DIAGRAM



# RB-4E PARTS LIST

Item	FHE Part Code	Description	Qty	Remark
1	802021003007	Oil Drip Tray	1	
2	RB-LRP	Lead Rail Plate	1	
4	HX1-38	Foot 302090007/70200900073	4	
5	RB-OB	Left/Right Outer Board	1	
7	RB-RUDP	Rear Upper Decoration Plate	1	
8	RB-LIB	Left Inner Board	1	
11	RB-RBB	Rear Bottom Beam	1	
12	RB-CF	Corner Fastener	1	
13	RB-FRUB	Front Rear Upper Beam	1	
14	RB-SPG	Supporting Plate for Grate	1	
15	RB-RIB	Right Inner Board	1	
16	RB-GGIP	General Gas Inlet Pipe 3/4" X 2.5m Black	1	
18*	801021002003	Long Burner Assembly includes the burner head burner tube and air damper 70202500228+70202500282+802018999020	2	
21	302250031	Trivet 7020170029/RB-2-R-1	2	
22*	302250169	Short Burner Assembly 801021002004 includes the burner head burner tube and air damper 70202500228+70202500291+802018999020	2	
23*	70201700128	Thermocouple 302170012 Rear Burner E series 600mm/ M8*	2	

# RB-4E PARTS LIST

Item	FHE Part Code	Description	Qty	Remark
24*	302220004	Ignitor Pin and Wire With Nuts 70202200046	1	
25	70201401328	Joint Tube for Nozzle	4	
26*	RB-26	Blank Nozzle To Be Drilled 302150095/70201500955	1	NG: 2.30mm LPG (AU):1.30mm LPG (NZ):1.18mm
27*	QR - VALVE	Gas Valve 302220049/70202200491 CE11 SABAF	4	
28*	301110052	Knob 301110251+301110092(70101102519+7101103900)	4	
29*	302170013	Front Burner Thermocouple M8 320mm 70201700137	1	
30	RB-GIPEC	End Cap of Gas Inlet Pipe	1	
31	RB-FUDP	Front Upper Decoration Plate	1	
32	RB-FBB	Front Bottom Beam	1	
35	RB-FCB	Front Control Panel	1	
36/38*	QR-48-14	Pulse Ignition Module 4 Pin 301100052/70101000528	1	
37*	70202200600	Battery #5/AA	1	
	RB-4-7	Rear Upper Decoration Plate 20228003003		
	RB-2-SE-Screw	Screw		
	20228004020	Burner Support		

# RB-4E PARTS LIST

---

---

Item	FHE Part Code	Description	Qty	Remark
	BOLT-GAS RANGE STAND	Bolt set for Gas Range Stand (QR JZH RB) (8pcs per set)		
	QR-Valve Connector	302140131 Gas Valve Connector		
	RB-4-SE	Stand 600X770X470mm		Component
	RB-4-SEN	Stand with solid undershelf		Component

\*Wearable parts