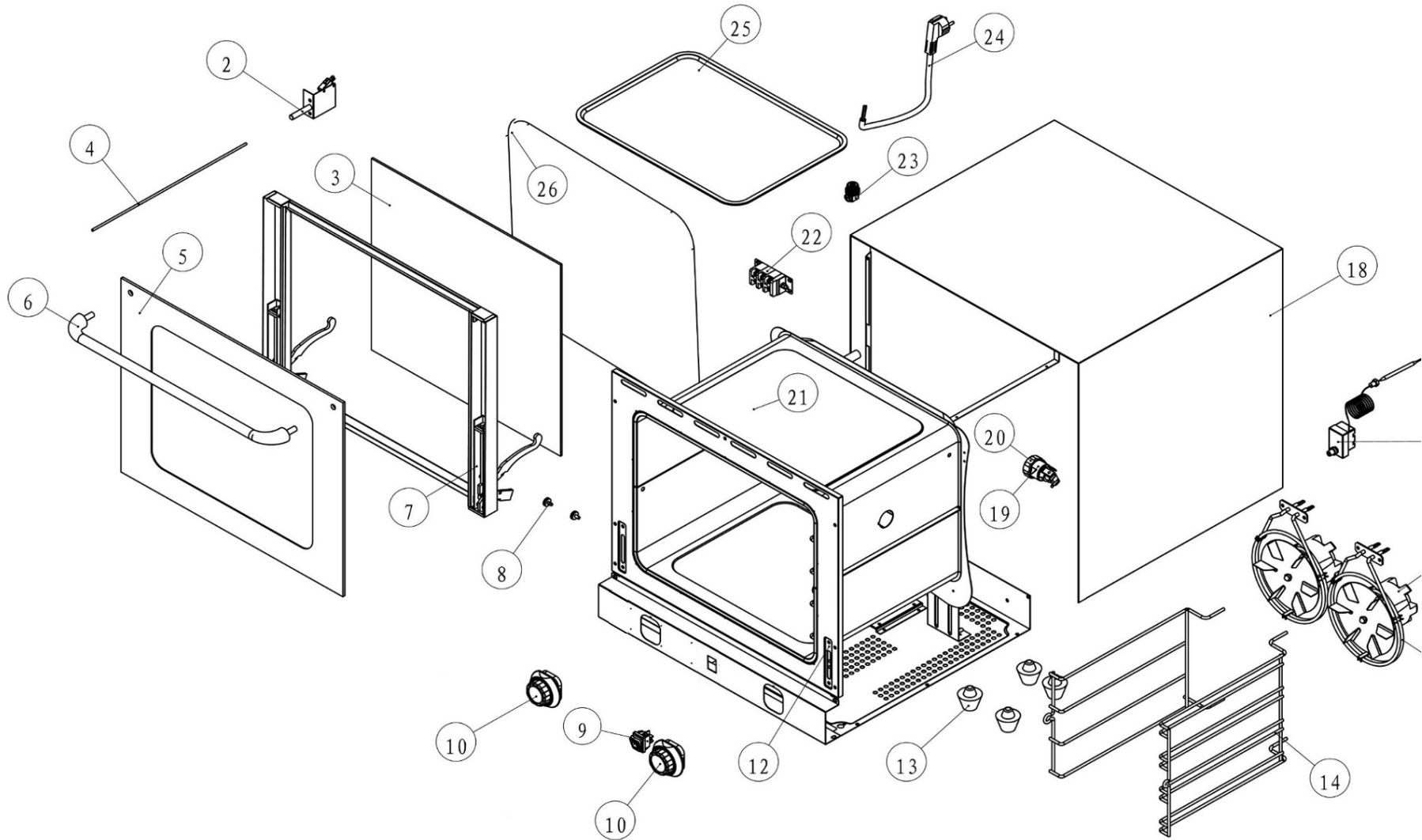


# YXD-1DI EXPLODED DIAGRAM







# YXD-1DI PARTS LIST

Item	FHE Part Code	Description	Qty	Remark
2*	YXD-8A-31	Travel/Door/Limit Switch 301080015/70100800155 LXW5-11M	1	
3*	YXD-1AE-08	Inner Door Glass 442mm X 492mm 302100023/70201000237	1	
4	70202024282L	Door Trip Switch Push Rod 410mm	1	
5*	70201005055L	Exterior Door Glass with Black Square Border 578mm X 449m	1	
6*	YXD-1AE-07	Holder For Door Handle 302070016/70200700164	2	
7*	YXD-3A-05A	New Version Door Hinge 302040263/70200402637	2	
8	70202007282	Long Thread Knurled Screw	2	
9*	70100801846L	Power Switch	1	
10*	70101002246L	Digital Control Set with Sensor (1Pcs) Knob (2Pcs) and PCB (1Pcs)	1	
12*	YXD-3A-01B	New Version Hinge Runner 302040266/70200402664	2	
13	70200900228	Rubber Foot 302090022	4	
14*	302110045	Shelf 370mm X 245mm 70201100455	2	
15*	70100406846	Back Heating Element 240V 1.07kw	2	
16*	YXD-3A-35	Fan Motor 301010131/70100101319	2	
17*	70100301982L	Temperature Limiter 360°	1	
18		Housing	1	
19	YXD-8A-33	Lamp Base 301130038/70101300382	1	Assembly see code YXD-1AE-LA

FHE After Sales Service & Support (AU)  
 Phone: 1300887055  
 Spares Email: [spares@fedservices.com.au](mailto:spares@fedservices.com.au)

FHE After Sales Service & Support (NZ)  
 Phone: 09 415 6471  
 Service Email: [service@fedproducts.co.nz](mailto:service@fedproducts.co.nz)

# YXD-1DI PARTS LIST

Item	FHE Part Code	Description	Qty	Remark
20*	YXD-1AE-36	Lamp 230V 15W 301130048/70101300482	1	Assembly see code YXD-1AE-LA
21	 	Chamber Assy	1	
22*	70100701782	Terminal Block 30A	1	
23	 	Power Cord Jacket	1	
24	301050005	Top Light Power Cable	1	
25	YXD-1A-4A	Tray 435mm X 315mm 302120029 70201200291	4	Assembly see code TDE-4C-SS
26*	YXD-1AE-34A	Door Seal Black 5 X 4 302020055/70200200555	1	
	YXD-1A-4B	Wire Rack 435mm X 315mm 302110158/70201101582		Assembly see code TDE-4C-SS
	TDE-4C-SS	Shelf Set 435mm X 315mm incl 1 PCS of 70201200291 and 3 PCS of 70201101582		Included in YXD-1A-4A and YXD-1A-4B
	YXD-1AE-LA	Lamp and Holder 70101300482+70101300382		Included in Item 19 & 20

\*Wearable parts