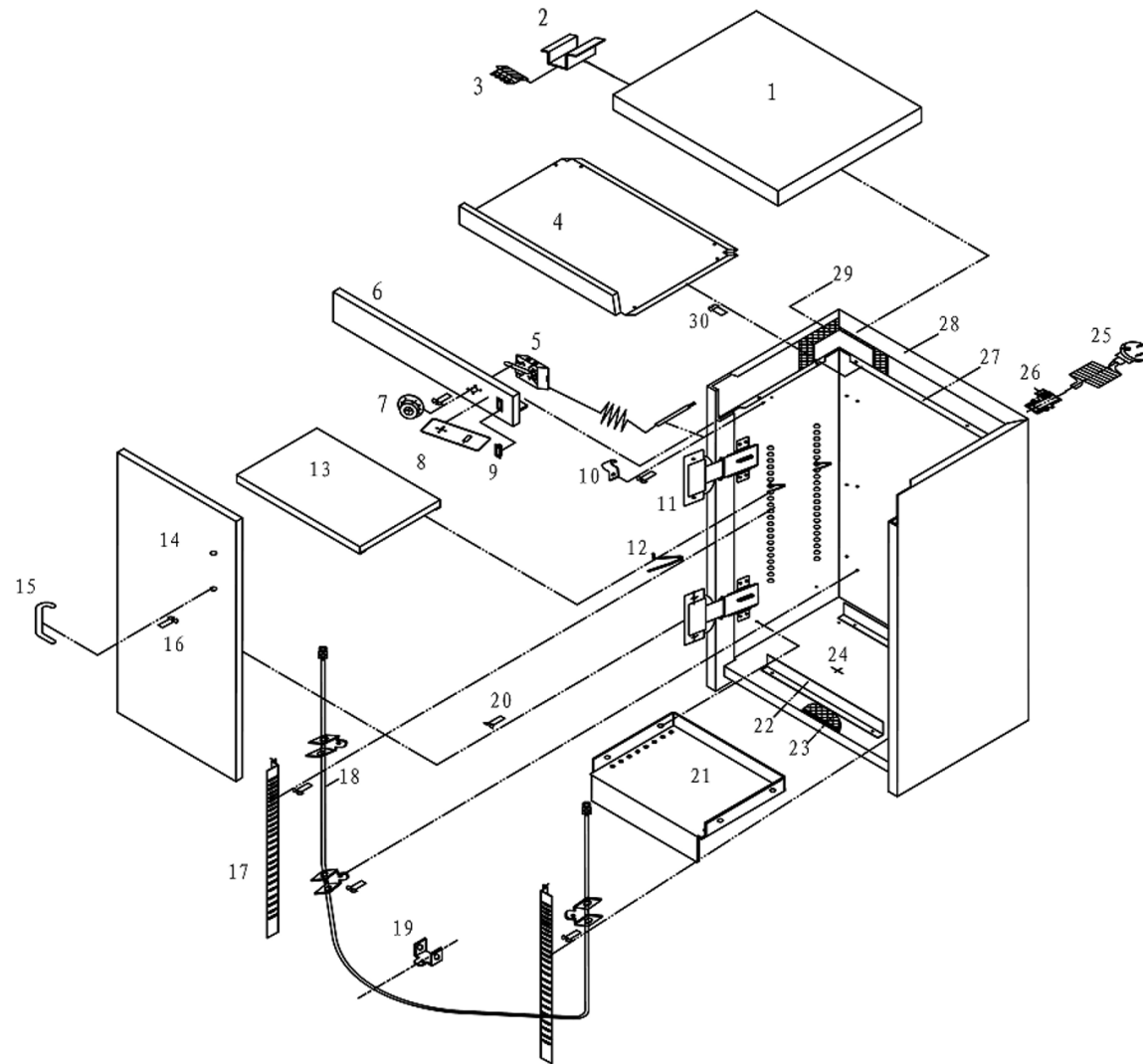


# PW-SE EXPLODED DIAGRAM




# PW-SE PARTS LIST

Item	FHE Part Code	Description	Qty	Remark
1	PW-SE-TCP	TOP COVER PLATE	1	
2	802010008007	BRACKET	1	
3*	70100700491	Ceramic Termina	1	
4	PW-SE-IPTC	INNER PANEL (TOP COVER)	1	
5*	DR-1-8	Thermostat 16A 85°C (EGO) 301030002/70100300028	1	
6	PW-SE-CP	CONTROL PANEL	1	
7*	70101100464+70101100100	THERMOSTAT KNOB	1	
8	PW-SE-DP	DECORATION PANEL	1	
9*	EP-1-24	Light Switch 301080008/70100800082	1	
10	PW-SE-PC	PROBE CLAMP	1	
11*	PW-DIE-Door Hinge	Door Hinge 1PC 302190023/70201900237	2	
12	802018999005	DIAGONAL BRACING	4	
13	802010008015	PARTITION BOARD	1	
14	801010008002	Door Assembly	1	
15*	DR-1-12A	Lid Handle 302070003/70200700037	1	
16		SCREW M8 X 15mm	2	
17	PW-SE-GBE	GUARD BOARD (ELEMENT)	1	

FHE After Sales Service & Support (AU)  
 Phone: 1300887055  
 Spares Email: [spares@fedservices.com.au](mailto:spares@fedservices.com.au)

FHE After Sales Service & Support (NZ)  
 Phone: 09 415 6471  
 Service Email: [service@fedproducts.co.nz](mailto:service@fedproducts.co.nz)

# PW-SE PARTS LIST

Item	FHE Part Code	Description	Qty	Remark
18*	PW-SIE-ELEMENT	Heating Element Single 750W 301040090/70100400900	1	
19	802010007009	Heating Element Clamp	9	
20		SCREW M4 X 10mm	12	
21	PW-DE-BCP	BOTTOM COVER PLATE	1	
22	802010008009	SUPPORT ROD	2	
23	PW-SE-IC	INSULATION COTTON	1	
24	PW-SE-Baseboard	BASEBOARD	1	
25	PW-SE-CC	CABLE CONNECTOR	1	
26	PW-SE-CS	CABLE SHEATH	1	
27	PW-SE-IP	Inner Panel	1	
28	PW-SE-OP	Outer Panel	1	
29	PW-SE-AB	Asbestos Block	4	
30		SCREW M4 X 8mm	32	
	PW-S-8	Single plate warmer front decal		
	PW-S-9	Single plate warmer on/off switch		
	PW-S-13	Shelf Suit PW-S and PW-SE 34cm X 41cm 20213009012		

# PW-SE PARTS LIST

---

---

Item	FHE Part Code	Description	Qty	Remark
	PW-DIE-SHELF CLIP	Double Warmer Shelf Clip 20213008039		

\*Wearable parts