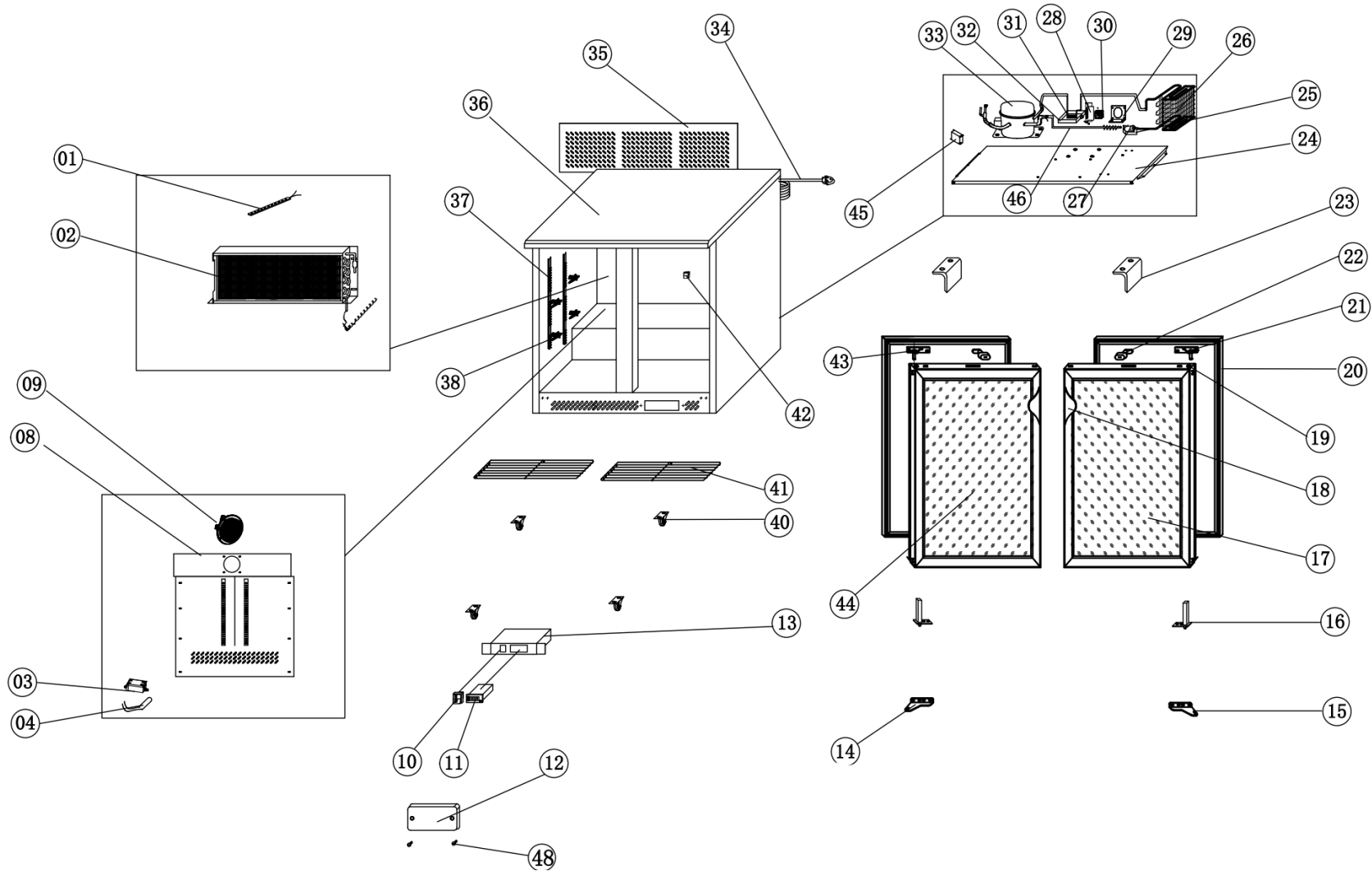


SC248SG EXPLODED DIAGRAM



SC248SG PARTS LIST

Item	FHE Part Code	Description	Qty	Remark
1*	104070140	LED Lamp 625mm X 18mm X 10.2mm	1	
2*	SC250G.23	Evaporator 113010465	1	
3	108110314	Sensor Fixed box White	1	
4*	104020097-104020099	Black Temperature Sensor With 1.5M Wire And Jst Connector 104020097+104020099	2	
8	5202009272	Circuit Fan Support 1 831mm X 435mm	1	
9*	104030051	Circuit Fan HT200RHR200	1	
10	S900.01	Main Switch 104090001	1	
11*	TEMP.CONTROL	Temperature Controller Dixell/Copeland XR02CX	1	
12*	SC248G-13	Clear Plastic Cover For Temp Controller 108060074	1	
13	5202009390	Thermostat Box	1	
14*	5202001175	Down Hinge Left 85mm X 59mm	1	
15	SC150G.27	Bottom Right Door Hinge 85mm X 59mm 5202001176	1	
16	107070122	Door Spring	1	
17	SC316G.10S	Right Glass Door S/S Colour 112010164	1	
18*	107140015	Handle Chrome Plated	2	
19	GN2100TN.07	Black Plastic Bush for Top Hinge 108300029	2	

FHE After Sales Service & Support (AU)
 Phone: 1300887055
 Spares Email: spares@fedservices.com.au

FHE After Sales Service & Support (NZ)
 Phone: 09 415 6471
 Service Email: service@fedproducts.co.nz

SC248SG PARTS LIST

Item	FHE Part Code	Description	Qty	Remark
20*	SC248G.20	Door Gasket 707mm X 407mm 108160275	2	
21	G350.20R	Up Hinge Right 107070030	1	
22	BC2100.05	Door Lock With Key 107130006	2	
23	SC150G.20A	SC316G LOCK HOOK 60mm X 47mm 5202002526	2	
24	5202002656	Unit Board 232.5mm X 892mm	1	
25	108300122	Drier Support	1	
26*	SC250G.30	Condenser 113020064	1	
27	107180011	Filter Drier	1	
28	5202004668	Condenser Fan Board 200mm X 161mm X215mm	1	
29	5202003831	Condenser Fan Support 120mm X 58mm	1	
30*	104030036	Circle Fan SA1238A2 MBT	1	
31	113110195	Discharge Pipe	1	
32	108300067	Water Box	1	
33*	HDL140A	Compressor R600a 104010136	1	
34	ACL635-3	10A 3 Pin Power Cord To Bare End 3 Meters 1.5 mm ²	1	
35	109040057	Unit Room Cover	1	

FHE After Sales Service & Support (AU)
 Phone: 1300887055
 Spares Email: spares@fedservices.com.au

FHE After Sales Service & Support (NZ)
 Phone: 09 415 6471
 Service Email: service@fedproducts.co.nz

SC248SG PARTS LIST

Item	FHE Part Code	Description	Qty	Remark
36	5102004198	Body	1	
37	107100018	Shelf Support L=335mm	8	
38*	G350.08	K Shape Clip 107090002	16	
40	110110017	Back Wheel	4	
41*	SC250G.29	Shelf 109020315 318mm X 405mm	4	
42*	BC2100.12	Lamp Switch KCD5-2P-22 104090010	1	
43*	107070031	Up Hinge Left	1	
44*	SC316G.08S	Left Glass Door S/S Colour 112010162	1	
45*	104080007	LED Transformer B50/B65 12V/6W	1	
46	113100385	Suction Pipe	1	
48	108300165	Hood Locating Bolts Set (20 pcs)	2	
	SC248G-Key	Key set		

*Wearable parts

FHE After Sales Service & Support (AU)
 Phone: 1300887055
 Spares Email: spares@fedservices.com.au

FHE After Sales Service & Support (NZ)
 Phone: 09 415 6471
 Service Email: service@fedproducts.co.nz