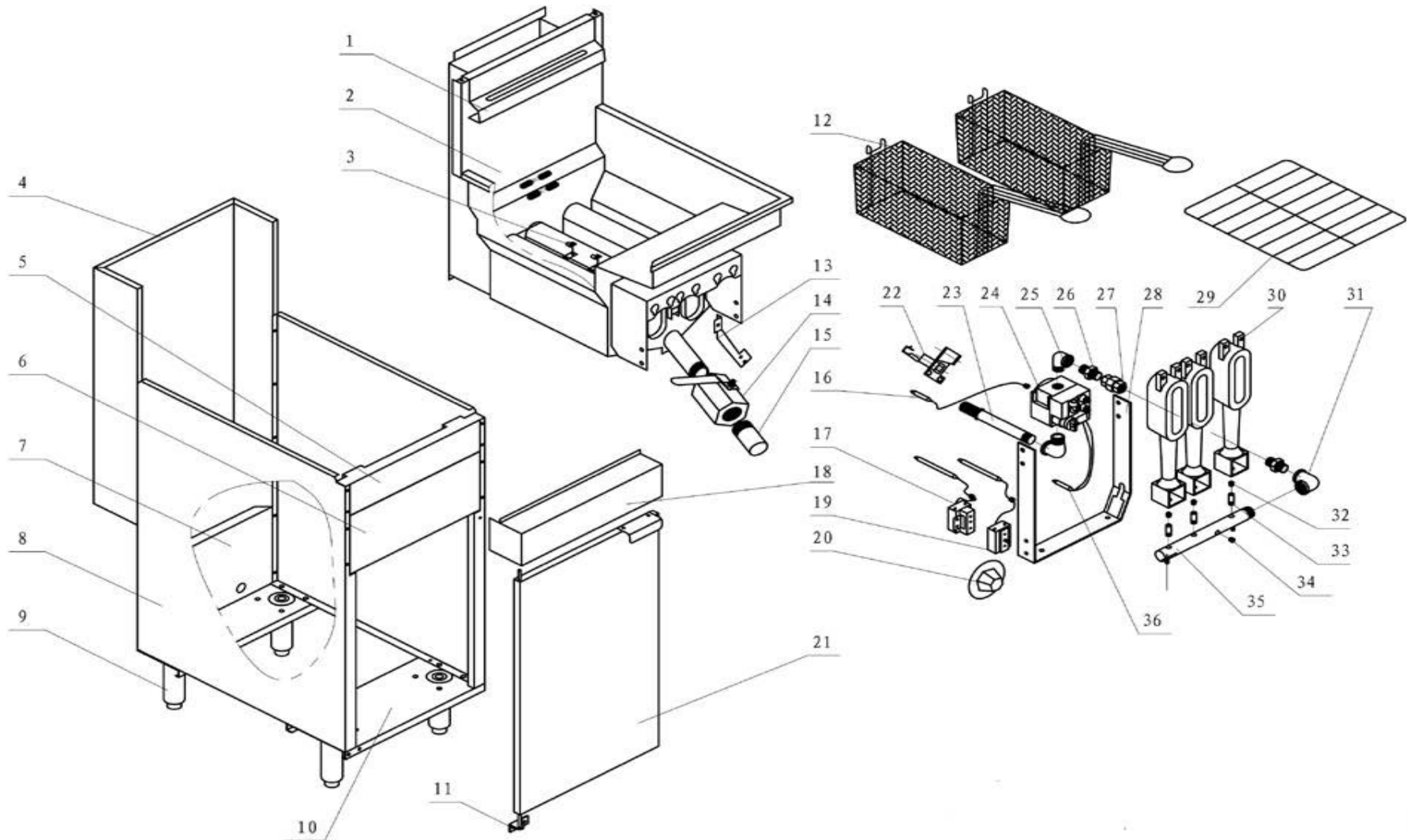


RC300E EXPLODED DIAGRAM



RC300E PARTS LIST

Item	FHE Part Code	Description	Qty	Remark	
1	RC300-11	Basket Hanger 20237036042/20226023011/802026051014	1		
2	801026053004	Tank Assembly	1		
3	802018999036	Clamp for Probe	4		
4	RC300E-RP	Rear Plate	1		
5	RC300E-LP	Lining Plate	1		
6*	RC300E-FTCB	Front Top Cross Beam	1		
7	RC300E-RLCB	Rear Low Cross Beam	1		
8	Right	802026053002	Side Plate Right	1	
8	Left	802026053001	Side Plate Left	1	
9	Version 1	70200900019	Foot	4	SN From 2016RN1212-M020 to 2206001242
9	Version 2	70200901664L	Adjustable Leg 160mm L with M20 2cm 302090001	4	SN From 2209035254
10		RC300E-FLCB	Front Low Cross Beam	1	
11		RC300E-BP	Bearing Pad	1	
12		RC300-Basket	Basket for RC300-400-400T L34 X W16.5 X D15 302110385/70201103855	2	
13		802026047009	Pilot Connecting Plate	1	
14*		RC300-14	Oil Drain Valve 1 1/2" Only 302050001/302050072/70200500728	1	
15		RC500-15	Oil Drainage Extension Tube 1 1/2" 302200627/70202006273	1	

FHE After Sales Service & Support (AU)
 Phone: 1300887055
 Spares Email: spares@fedservices.com.au

FHE After Sales Service & Support (NZ)
 Phone: 09 415 6471
 Service Email: service@fedproducts.co.nz

RC300E PARTS LIST

Item	FHE Part Code	Description	Qty	Remark
16*	70201700128	Thermocouple 600mm 302170012	1	
17*	RC500-17	Over Temp. Cut Out EGO 238°C 302220073/301030071/70202200737	1	
18	RC300E-DP	Decoration Plate	1	
19*	RC500-19	Thermostat EGO 200°C 302220072/70202200728	1	
20*	301110362	Thermostat Knob 301110538+70101103628	1	
21	801026053002	Door Assembly	1	
22*	LPG Version RC500-P	Pilot LPG 302130201/70201302019	1	
22*	NG Version RC500-P-NAT	Pilot NG 302130202/70201302028	1	
23	70201802428	Gas Inlet Pipe 1/2" 330mm L	1	
24*	LPG Version1 RC500-V	LPG Robertshaw Valve 70200500782/302050078	1	SN From 2016RN1212-M020 to 2011007254 SN From 2408050329
24*	NG Version1 RC500-V-NAT	NG Robertshaw Valve 70200500773/302050077	1	SN From 2016RN1212-M018 to 2011007214 SN From 2408050277
24*	LPG Version2 70202201382L	Gas valve LPG	1	SN From 2012009139 to 2407003643
24*	NG Version2 70202201391L	Gas valve NG	1	SN From 2012009039 to 2407003641
25	70200601528	1/2 Connector 1/2" from internal connection to external connection	2	
26	70200601537	Inner Joint 1/2" cast iron	2	
27	70200600464	Movable Joint 1/2" cast iron	1	

RC300E PARTS LIST

Item	FHE Part Code	Description	Qty	Remark
28	RC300E-BPIB	Branch Pipe Installation Bracket	1	
29*	RC300-20	Wire Net 3x3mm Grade 345mm X 280mm 70201106100	1	
30*	Right Version1	RC400T-19	1	SN From 2016RN1212-M018 to 2407003643
30*	Middle Version1	302130103	1	
30*	Left Version 1	RC400T-20	1	
30*	Version 2	70201301400	3	SN From 2408050277
31	70200601519	1/2-3/4 Reducing Elbow	1	
32*	LPG Version	RC500-M	3	Main Burner Nozzle (LPG 2750pa) 302150058/70201501919L Size 1.5mm
32*	NG Version	RC500-M1	3	Main Burner NG Nozzle/Jet #2.4 302150258/302150197/ 70201501973L
33	302200623	Nozzle Pipe ø10mm 70202006237	3	
34+35	Version 1	70201806846	1	SN From 2016RN1212-M018 to 2407003643
34+35	Version 2	70201809091L	1	SN From 2408050277
36*	70201700237	Bunching Thermocouple	1	
	RC300-20-8mm	Wire Net 8x8mm Grade 345mm X 280mm 302110610L		
	RC300-30	Fire Damper Plate 20237032006		
	20237035044	Oil Scraper Panel 802026053020		
	20237036015	Flue Deflector 802026053019		

RC300E PARTS LIST

Item	FHE Part Code	Description	Qty	Remark
	302150075	RC300 Main Burner Injector (Blank)		
	302190071	Pilot Supply Tube		
	RC400-LID	Lid 802026053018		
	20126017002	Lower Hinge		
	70202201400L	New RC Valve Conversion Kit LPG to NG		
	70202201419L	New RC Valve Conversion Kit NG to LPG		
	20237042027	Brack		
	301110257	Indicating Plate		
	302190161	Drain Clean Chaining L=500mm Suit RC Series		
	302201335	GF-90 Shaft for RC gas fryer		
	302201336	Drain Clean Ignition Hook Ring Suit RC Series		

*Wearable parts