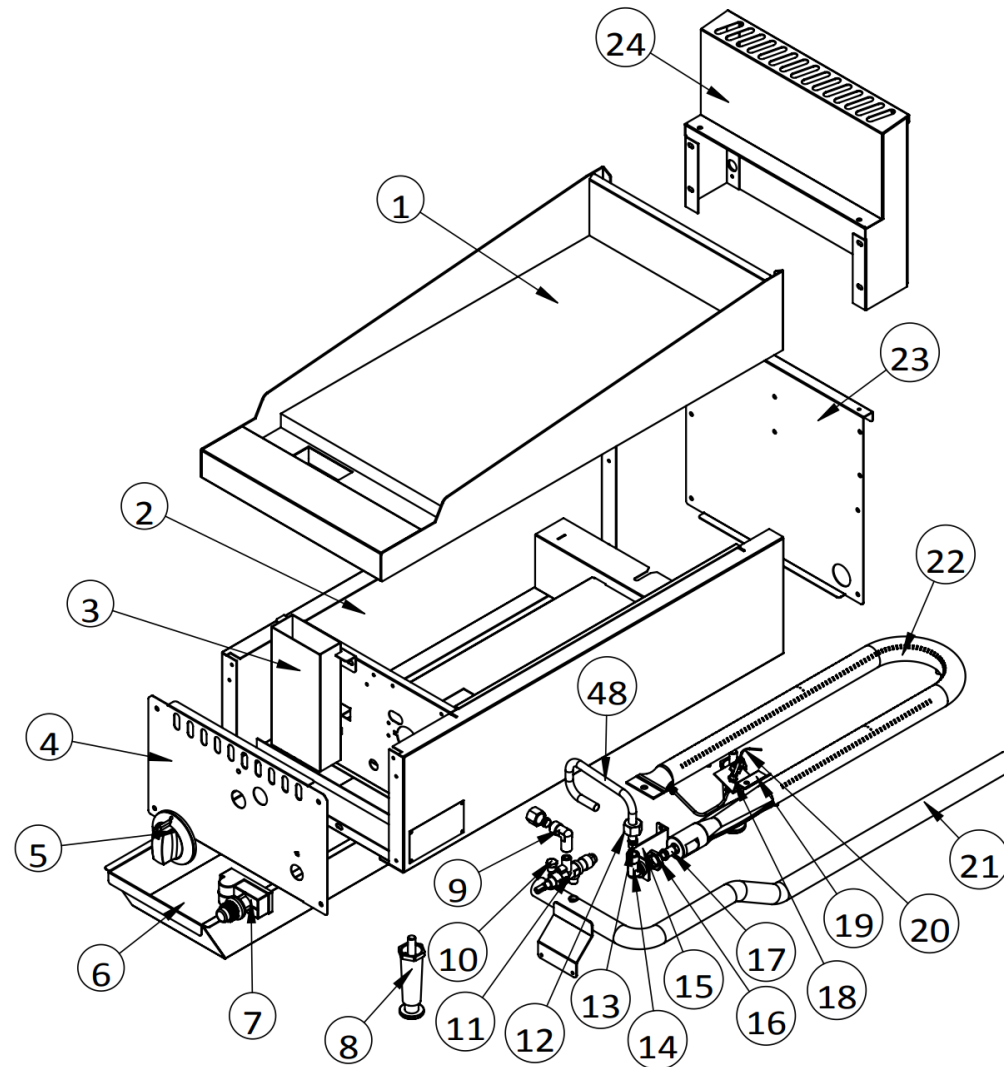



GG-12 EXPLODED DIAGRAM



GG-12 PARTS LIST

Item	FHE Part Code	Description	Qty	Remark
1	GG-12-GPA	Griddle Plate Assembly	1	
2		Housing Assembly	1	
3	GG-12-ODTA	Oil Drip Tray Assembly	1	
4	GG-12-FCP	Front Control Panel	1	
5*	70101102519+70101103900	Control Knob with Knob Core	1	
6	801022034004	Drip Tray	1	
7*	302220044	Ignition Single Module 70202200446	1	
8	70200900073	SS Adjustable Foot 4" 302090007	4	Same as RGT-48-14 or HX1-38 or QR-24-S-LEG
9	70202022128L	Φ10 Elbow	1	
10*	70202005355	Gas Pipe Testing Plug	1	
11*	QR - VALVE	Gas Control Valve 302220049/70202200491	1	
12	70202011546	Nozzle Elbow Connecting Nut Φ 10	1	
13	70201400664	Clamp φ10	2	
14	70202008400	Nozzle Elbow 302200840	1	
15	GG-12-NFP	Nozzle Fixation Plate	1	
16	70202011628	Fixation Screw For Elbow M18 X 1.5	1	
17*	RB-26	Blank Nozzle 1.7mm To Be Drilled 302150095/70201500955	1	

GG-12 PARTS LIST

Item	FHE Part Code	Description	Qty	Remark
18*	302170013	Front Burner Thermocouple M8 320mm 70201700137	1	Version 1
	70201700519L	Thermocouple 400mm	1	Version 2
19	GG-12-TFP	Thermocouple Fixation Plate	1	
20*	302220004	Ignitor Pin and Wire With Nuts 70202200046	1	
21*	GG-12-GIPA	Gas Inlet Pipe Assembly	1	
22*	70201304782L	U-shaped Burner	1	
23	GG-12-BP	Back Plate	1	
24	GG-12-DCA	Decoration Chimney Assembly	1	
25*	70202301382L	Pilot Main Pipe Φ 10 X 400mm	1	Same as 302230138L

*Wearable parts