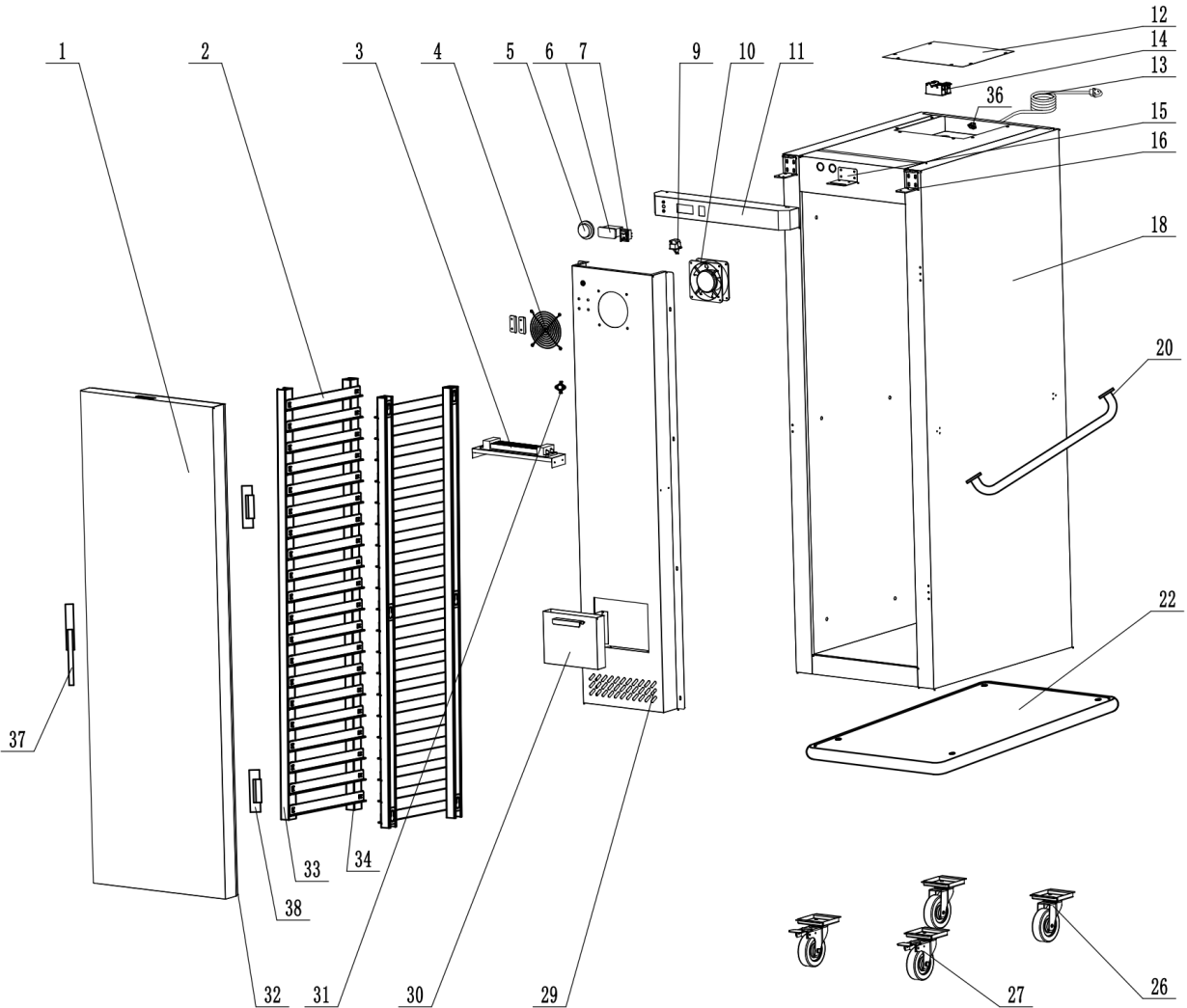


# HT-20S EXPLODED DIAGRAM



FHE After Sales Service & Support (AU)  
 Phone: 1300887055  
 Spares Email: [spares@fedservices.com.au](mailto:spares@fedservices.com.au)

FHE After Sales Service & Support (NZ)  
 Phone: 09 415 6471  
 Service Email: [service@fedproducts.co.nz](mailto:service@fedproducts.co.nz)

# HT-20S PARTS LIST

Item		FHE Part Code	Description	Qty	Remark
1	Version 1	5107001216	Foamed Door Assembly	1	Before 2023
1	Version 2	5107001216-V2	Foamed Door Assembly	1	After 2023
2	Left	5203000451	Shelf Guide Rail (Left)	1	
2	Right	5203000452	Shelf Guide Rail (Right)	1	
3*		104130225	PTC Heater 800W/220V Double Row	1	
4		114020096	Panel Mesh Cover	1	
5*		104020021	Thermostat WGB-01	1	
6*		114030006	Water Temperature Gauge	1	
7*		104090001	Main Switch	1	
9*		104090013	Door Switch Normally Open	1	
10*	Version 1	104030036	Circle Fan SA1238A2 MBT	1	
10*	Version 2	104030138	Circle Fan SA1238A2HBT-H Suit High Temperature Equipment	1	
11		5202007945	Front Control Panel	1	
12		HT-20S-Cover	Junction Box Cover 5202007946	1	
13		ACL635-3	10A 3 Pin Power Cord To Bare End 3 Meters 1.5 mm <sup>2</sup>	1	
14*	Version 1	104080029	Solid State Relay KSR-40 AA	1	

# HT-20S PARTS LIST

Item		FHE Part Code	Description	Qty	Remark
14*	Version 2	104080046	Relay	1	
15		5202001664	Hook of Lock	1	
16*		107070137	Upper Hinge	2	
18		5102003645	Foamed Cabinet Assembly	1	
20*	Version 1	HT-20S-ST	Side Trim 108080441+108300138+108080444	1	
20*	Version 2	114020305	Large side Handle	2	
22		5114002842	Base Frame Assembly	1	
26		GN650TN.53A	Normal Wheel/ Castor 4 Inch 107050003	2	
27		GN650TN.53B	Brake Wheel/Castor 4 Inch 107050004	2	
29		5202007942	Circle Fan Cover	1	
30		5114002836	Water Box	1	
31*	Version 1	114020082	Protector	1	
31*	Version 2	104150006	Temperature Protector	1	
32*		108270523	Door Gasket	1	
33		5117000147	Support Bracket Assembly (Front)	2	
34		5117000148	Support Bracket Assembly (Rear)	2	

FHE After Sales Service & Support (AU)  
 Phone: 1300887055  
 Spares Email: [spares@fedservices.com.au](mailto:spares@fedservices.com.au)

FHE After Sales Service & Support (NZ)  
 Phone: 09 415 6471  
 Service Email: [service@fedproducts.co.nz](mailto:service@fedproducts.co.nz)

# HT-20S PARTS LIST

---

---

Item	FHE Part Code	Description	Qty	Remark
36	114030001	Connector Plugs	1	
37*	114020308	Door Handle	1	
38*	114020303	Door Side Hinge	2	
	104110005	Cable Connector		
	107110010	Hinge Axis		
	107130008	Lock		
	108230006	Door Magnet		

\*Wearable parts