

COUNTERTOP GELATO DISPLAY

CGD-03B



The BONVUE CGD-03B Countertop Gelato Display is designed to showcase gelato and frozen desserts in compact retail environments. With a sleek black stainless steel exterior and clear viewing window, this display unit allows operators to present their products attractively while maintaining reliable temperature control.

Ideal for cafés, dessert bars, restaurants, and specialty gelato shops, the CGD-03B provides efficient static cooling with a hermetic compressor and eco-friendly refrigerant. Its countertop footprint makes it perfect for impulse sales locations, allowing customers to easily view and select frozen desserts while maintaining product quality.



Key Features



Energy Efficiency

Utilises R290 natural refrigerant, reducing carbon footprint and enhancing safety.



Compact Countertop Design

Perfect for cafés, dessert bars, and gelato shops with limited space.



Static Cooling Performance

Static cooling system maintains consistent serving temperatures.



Clear Product Visibility

Large viewing window and LED lighting showcase frozen desserts beautifully.



FEATURES



Digital Temp. Controller

Easy temperature adjustment ensures consistent frozen dessert storage.



Low Maintenance Operation

Downtime defrosting system helps simplify maintenance and cleaning.



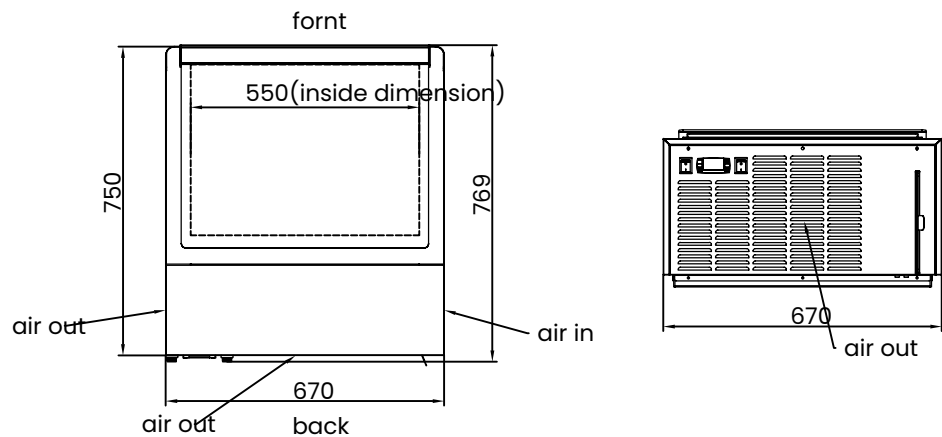
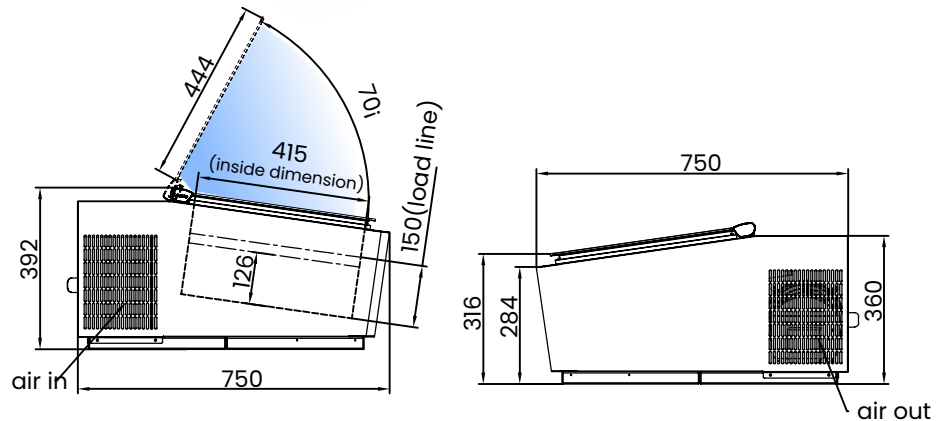
Eco-Friendly Refrigerant

R290 refrigerant reduces energy use and impact.



Premium Display Finish

Black stainless steel body delivers a modern retail presentation.



Code	GEMS Star Rating	Energy Consumption	Dimensions (WxDxH mm)	Weight (kg)	Temper. Range °C	Ambient /RH%	Voltage	Power (W/A)
CGD-03B	8	3.203kwh/24h	670x750x392	44	-18 to -16	30°C/55	240	450/10