



Catalogue
FOOD SERVICE
Chapter
COOKING

Model
F-G7215 LPG 230V 1N 50Hz 2C

19074791

09/03/2020

GAS FRYER, F-G7215

- Surface top manufactured in 1.5 mm thick AISI-304 stainless steel.
- Laser-cut joints, automatic welding and polishing. Hidden screws.
- Well built into the surface top with robotic welding and polishing.
- Cold area in the lower part of the well which helps to preserve the characteristics and quality of the oil used for longer.
- Thermostatic temperature control, between 60 and 200 °C.
- Safety thermostat in all models.
- Fitted with individual lids for each well.
- Drainage of oil from the well through a mechanical ball valve which is robust, reliable and resistant to high temperatures.
- High power machine that heat up quickly and have a high power - litre ratio (up to 1.00 kW/litre).
- Gas model with three longitudinal heat transfer tubes built into the well.
- High-efficiency Gas burners.
- Flue flush with the rest of the machines thanks to the perfect combustion achieved.
- Number of wells: two of 15 litres capacity

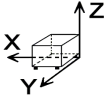
BASKETS PROVIDED:

- 1 large basket per well (250 x 280 x 100 mm).

OPCIONAL ACCESSORIES

- Small basket (125 x 280 x 100 mm).
- "
- "

DIMENSIONS



X Width	800 mm	X Gross width	840 mm
Y Depth	730 mm	Y Gross depth	822 mm
Z Height	850 mm	Z Gross height	1255 mm
Net Weight	110,0 kg	Gross Weight	128,0 kg
Net volume	0,500 m3	Gross volume	0,867 m3

ELECTRICITY TECHNICAL SPECIFICATIONS

Electric power	0,100 kW
Amperage (A)	2A
Voltage	230V - 1N
Electric frequency	50Hz

GAS TECHNICAL SPECIFICATIONS

Gas type	LPG
Gas power	30,00 kW
Gas consumption	3,680 kg/h
Regulated	LPG G30/G31 28-30/37 mbar NG G20/G25/G25.1 20/25/25 mbar

CONNECTIONS TECHNICAL SPECIFICATIONS

Gas diameter 1	R.3/4"G
Gas 2 diameter	R.3/4"G



Catalogue
FOOD SERVICE

Chapter
COOKING

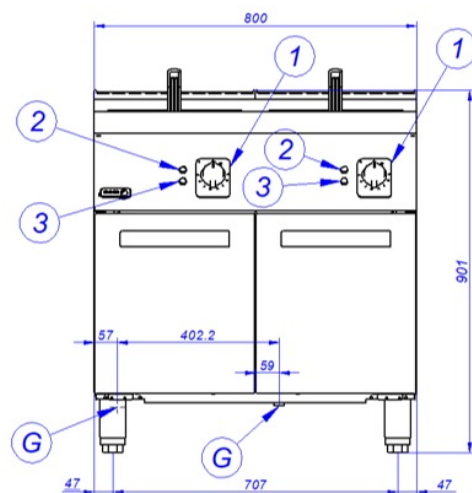
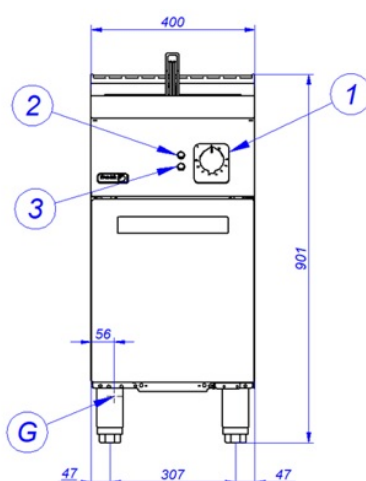
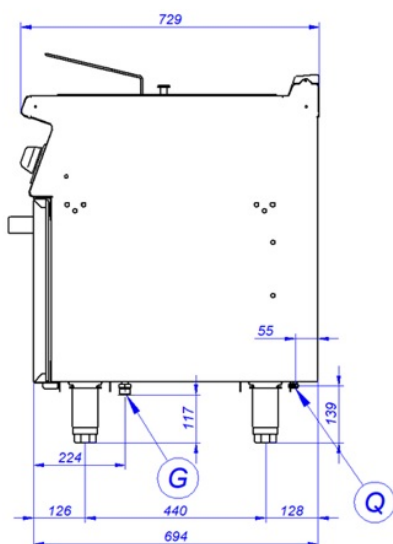
Model
F-G7215 LPG 230V 1N 50Hz 2C

19074791

09/03/2020

F-G7115

F-G7215



Q – Conexión equipotencial
G – Entrada de Gas
1 – Grifo válvula de gas
2 – Piloto verde
3 – Piloto ámbar

Equipotential connection
Gas Inlet
Gas valve tap
Green pilot
Amber pilot

Connexion équipotentiel
Entrée de gaz
Robinet vanne gaz
Lumière verte
Lumière ambre