



Catalogue
FOOD SERVICE
Chapter
COOKING

Model
F-G7115 NG 230V 1N 50Hz 1C

19074785

09/03/2020

GAS FRYER, F-G7115

- Surface top manufactured in 1.5 mm thick AISI-304 stainless steel.
- Laser-cut joints, automatic welding and polishing. Hidden screws.
- Well built into the surface top with robotic welding and polishing.
- Cold area in the lower part of the well which helps to preserve the characteristics and quality of the oil used for longer.
- Thermostatic temperature control, between 60 and 200 °C.
- Safety thermostat in all models.
- Fitted with individual lids for each well.
- Drainage of oil from the well through a mechanical ball valve which is robust, reliable and resistant to high temperatures.
- High power machine that heat up quickly and have a high power - litre ratio (up to 1.00 kW/litre).
- Gas model with three longitudinal heat transfer tubes built into the well.
- High-efficiency Gas burners.
- Flue flush with the rest of the machines thanks to the perfect combustion achieved.
- Number of wells: one of 15 litres capacity

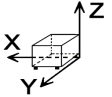
BASKETS PROVIDED:

- 1 large basket (250 x 280 x 100 mm).

OPCIONAL ACCESSORIES

- Small basket (125 x 280 x 100 mm).
- "
- "

DIMENSIONS



X Width	400 mm	X Gross width	440 mm
Y Depth	730 mm	Y Gross depth	822 mm
Z Height	850 mm	Z Gross height	1255 mm
Net Weight	60,0 kg	Gross Weight	75,0 kg
Net volume	0,250 m3	Gross volume	0,454 m3

ELECTRICITY TECHNICAL SPECIFICATIONS

Electric power	0,100 kW
Amperage (A)	2A
Voltage	230V - 1N
Electric frequency	50Hz

GAS TECHNICAL SPECIFICATIONS

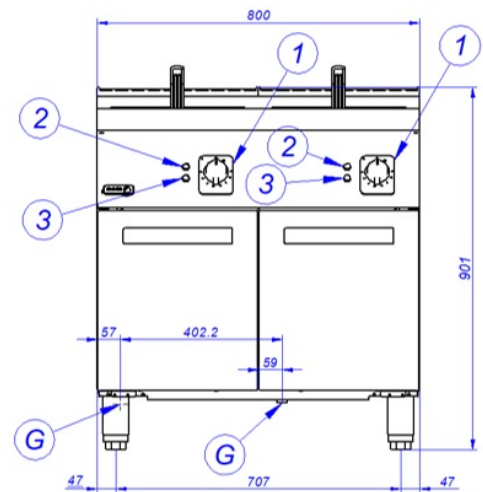
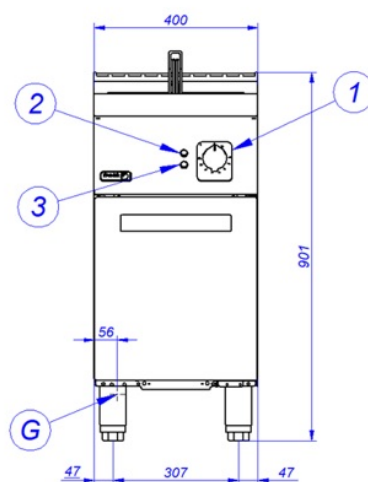
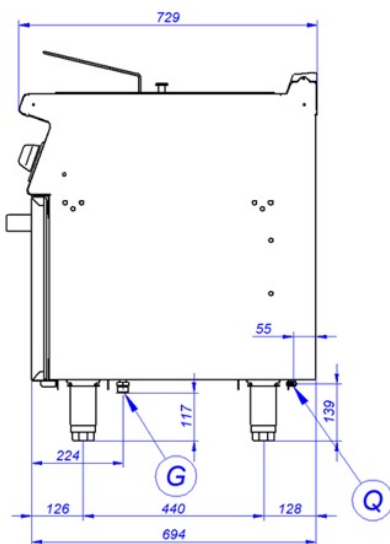
Gas type	NG
Gas power	15,00 kW
Gas consumption	2,080 m3/h
Regulated	LPG G30/G31 28-30/37 mbar NG G20/G25/G25.1 20/25/25 mbar

CONNECTIONS TECHNICAL SPECIFICATIONS

Gas diameter 1	R.3/4"G
----------------	---------

F-G7115

F-G7215



Q – Conexión equipotencial
G – Entrada de Gas
1 – Grifo válvula de gas
2 – Piloto verde
3 – Piloto ámbar

Equipotential connection
Gas Inlet
Gas valve tap
Green pilot
Ambar pilot

Connexion équipotentiel
Entrée de gaz
Robinet vanne gaz
Lumière verte
Lumière ambre